

**DATA SHEET
#SPS112**

**MODEL H
QUICK RESPONSE
ADJUSTABLE CONCEALED
SIN: AS5653**

Model

- "Automatic" Quick Response Adjustable Concealed Pendent Sprinklers, Model HC - 1/2" Orifice x 1/2" NPT

K Factor

- 5.6 (8.1)

Sprinkler Identification Number (SIN)

- Pendent AS5653

Approvals

- UL Listed, ULC Listed, LPCB Approved, MEA Accepted, No. 192-98-E

To Specify

- Furnish and install "Automatic" Sprinkler Brand Model HC Quick Response Adjustable Concealed Sprinkler. Specify finish, cover and temperature rating as required.

Temperature Ratings

- 155°F (68°C) Sprinkler with
- 135°F (57°C) Cover Plate
- 200°F (93°C) Sprinkler with
- 165°F (74°C) Cover Plate

Finishes

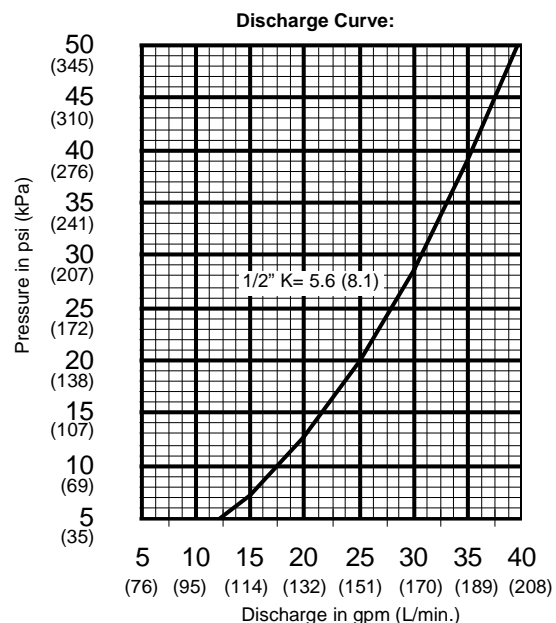
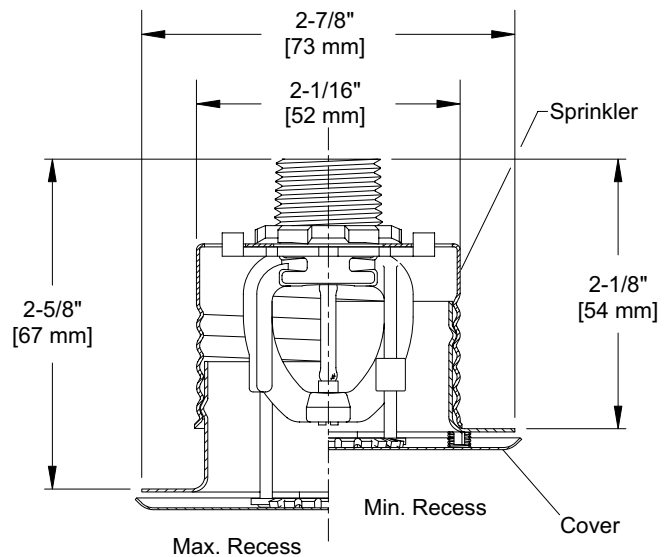
- Plain Brass

Cover Finishes

- Chrome Plated (Standard)
- Painted White (Standard)
- Special Paint

Weight

- Sprinkler Only - 4.2 ounces (119 g)
- Cover Plate Only - 1.8 ounces (51 g)



QUICK RESPONSE SUBMITTAL SHEET

Operation

The cover plate is designed to fall away during a fire and expose the concealed sprinkler to the rising temperatures of the fire. The deflector drops down to a point below the ceiling line. The heat of the fire then operates the glass bulb sprinkler and water is discharged onto the fire.

Installation

The Model HC Concealed Sprinkler must be installed in accordance with current NFPA 13 Standards. Nonconformance with these standards and requirements or any adjustments or alterations to the sprinkler or cover plate would void any warranty made by "Automatic" Sprinkler Fire Protection Equipment.

To Install:

1. Install the pipe drop so that the face of the reducer couplings is 1-7/8" (48mm) above the finished ceiling. This dimension is about the mid point of the adjustable range.
2. Apply pipe compound or Teflon™ tape to the male threads on the sprinkler, then screw the head into the reducer hand tight.
3. Being careful not to damage the deflector or the glass bulb, place the sprinkler wrench onto the flat lugs provided on the frame and tighten into the reducer.

Note: Model HC Sprinklers are to be installed using only the Model H Recessed Sprinkler Wrench designed for that purpose. Code Number 8038511.

Caution: Do not use the sprinkler wrench as a means of tightening the drop. This may cause damage to the sprinkler.

Ordering Information

- "Automatic" Model HC Quick Reponse Adjustable Concealed Sprinklers - 1/2" Orifice x 1/2" NPT - Pendent

Type	Temperature Rating	Maximum Ambient Temperature	Stock Code Number: Sprinkler only ☉	Submittal (Check One)	Cover Finishes Available	Stock Code Number: Cover only ☉	Submittal (Check One)
Model HC	155°F (68°C) (Red Bulb) Use 135°C (57°C) Cover	100°F (38°C)	8038672		White	8038638	
					Chrome	8038639	
					Special Paint	8038640	
Model HC	200°F (93°C) (Green Bulb) Use 165°F(74°C) cover	150°F (66°C)	8038674		White	8038641	
					Chrome	8038642	
					Special Paint	8038643	

Note: 135° covers are used with 155° sprinklers and 165° covers are used with 200° sprinklers.

This information is only a general guideline. The company reserves the right to change any portion of this information without notice. Terms and conditions of sale apply and are available on request.

07/01 Printed in USA SPS112.QXD

"Automatic" Sprinkler Fire Protection Equipment

4. With the sprinkler head centered in the ceiling opening, 2-1/4" (57mm) recommended, simply screw the cover plate into the support cup making sure all the dimples on the cover plate assembly fully engage the rolled threads on the support cup. Continue to screw the cover plate assembly until the cover plate engages the finished surface of the ceiling. If the cover plate will not full engage the support cup, the drop is too short.

Caution: When the sprinklers are installed in acoustically, lay-in-type ceiling tiles, the cover plate sub-assembly should never be allowed to left the tile from its position on the suspension grid.

Shipping Information

Sprinklers and Cover Plates boxed separately.

Shipping Weights:	100 Covers	17 lbs. (7.7 kg)
	100 Sprinklers	32 lbs. (14.5 kg)

Box dimensions: 17" x 17" x 10"
(0.43m x 0.43m x 0.25m)

1.67 cubic feet
(0.047 cubic meters)

Maximum Water Working Pressure

175 PSI (1,207 kPa)

Factory Tested Hydrostatically To

500 PSI (3,448 kPa)