

**DATA SHEET  
#SPS210**

**MODEL HX  
STANDARD RESPONSE  
EXTRA LARGE ORIFICE  
SIN: AS1102**

**Model**

- "Automatic" Standard Response Extra Large Orifice Glass Bulb Sprinklers, Model HX - 5/8" Orifice x 3/4" NPT - Upright

**K Factor**

- 11.5 (166)

**Sprinkler Identification Number (SIN)**

- AS1102

**Approvals**

- UL Listed, ULC Listed, FM Approved, MEA Accepted, No. 192-98-E

**To Specify**

- Furnish and install "Automatic" Sprinkler Brand Model H Standard Response Extra Large Orifice Glass Bulb Sprinkler for NFPA 13, 231,231C, 231D & 231F systems. Style, NPT, orifice, K-Factor, finish, and temperature rating as required.

**Temperature Ratings**

- 155°F (68°C)
- 175°F (79°C)
- 200°F (93°C)
- 286°F (141°C)

**Finishes**

- Brass
- BrightChrome
- White Polyester
- Black Polyester

**Maximum Working Pressure**

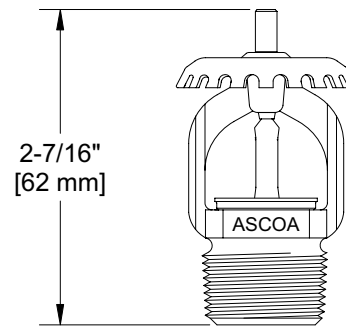
- 175 psi (1,200 kpa)

**Minimum Operating Pressure**

- 10 psi (69 kpa)

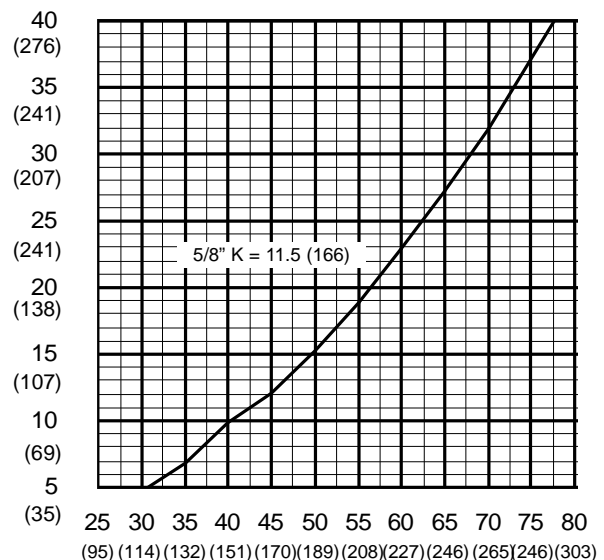
**Note:**

See back of page for available style, temperature rating and finish combinations.



**Extra Large Orifice  
Upright**

**Discharge Curve**



# QUICK RESPONSE SUBMITTAL SHEET

## **Ordering Information**

- “Automatic” Model HX - Extra Large Orifice - 5/8” Orifice x 3/4” NPT - Upright

Type	Temperature Rating	Maximum Ambient Temperature	K Factor	Finish	Stock Code No.	Submittal (Check One)
Model H	155°F (68°C) (Red Bulb)	100°F (38°C)	11.5 (166)	Brass	1876920	
				Bright Chrome	1876921	
				White Polyester	1876927	
				Black Polyester	1876929	
Model H	175°F (79°C) (Yellow Bulb)	150°F (66°C)	11.5 (166)	Brass	1876930	
				Bright Chrome	1876931	
				White Polyester	1876937	
				Black Polyester	1876939	
Model H	200°F (93°C) (Green Bulb)	150°F (66°C)	11.5 (166)	Brass	1876940	
				Bright Chrome	1876941	
				White Polyester	1876947	
				Black Polyester	1876949	
Model H	286°F (141°C) (Blue Bulb)	225°F (107°C)	11.5 (166)	Brass	1876950	
				Bright Chrome	1876951	
				White Polyester	1876957	
				Black Polyester	1876959	

This information is only a general guideline. The company reserves the right to change any portion of this information without notice. Terms and conditions of sale apply and are available on request.

07/01 Printed in USA SPS210.QXD

**“Automatic” Sprinkler Fire Protection Equipment**