

**DATA SHEET
#SPS200**

**MODEL H
STANDARD RESPONSE
STANDARD ORIFICE
SIN: AS5602/AS5601**

Model

- "Automatic" Standard Response Standard Orifice Glass Bulb Sprinklers, Model H - 1/2" Orifice x 1/2" NPT - Upright & Pendent

K Factor

- 5.6 (8.1)

Sprinkler Identification Number (SIN)

- Upright AS5602, Pendent AS5601

Approvals

- UL Listed, ULC Listed, FM Approved*, MEA Accepted, No. 192-98-E

To Specify

- Furnish and install "Automatic" Sprinkler Brand Model H Standard Response Standard Orifice Glass Bulb Sprinkler. Style, NPT, orifice, K-Factor, finish, and temperature rating as required.

Temperature Ratings

- 135°F (57°C)
- 155°F (68°C)
- 175°F (79°C)
- 200°F (93°C)
- 286°F (141°C)
- 360°F (182°C)
- Open (No Rating)

Finishes

- Plain Brass
- Chrome Plated (Bright)
- White
- Black**
- Bright Brass
- Coro-Coated (Wax)
- Coro-Coated over Lead
- Lead Coated

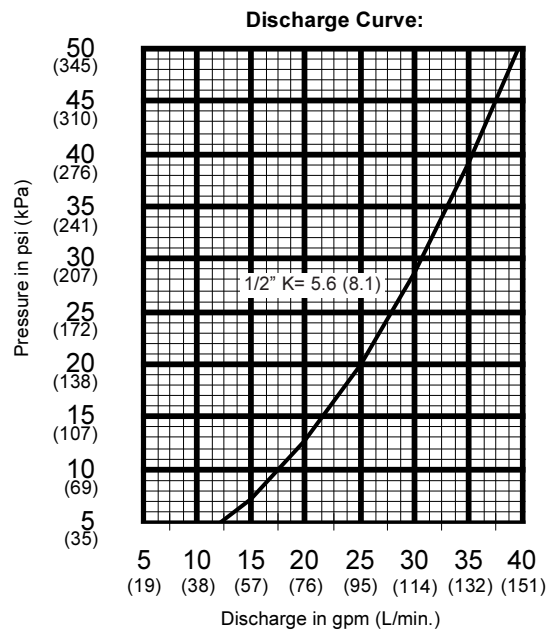
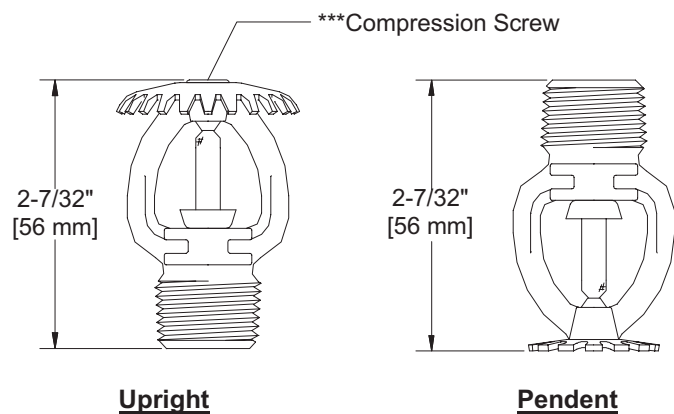
Note:

See back of page for available style, temperature rating and finish combinations.

*White & Black finishes not FM Approved.

**Black in 155°F & 200°F - Pendent only.

***Satin tin plated on white finished sprinklers for decorative purposes.



STANDARD RESPONSE SUBMITTAL SHEET

Ordering Information

- “Automatic” Model H - 1/2” Orifice x 1/2” NPT - Upright & Pendent

Type	Temperature Rating	Maximum Ambient Temperature	K Factor	Finish	Upright		Pendent	
					Part No.	Submittal (Check One)	Part No.	Submittal (Check One)
Model H	135°F (57°C) (Orange Bulb)	100°F (38°C)	5.6 (8.1)	Brass	8486010		8487010	
				Chrome	8486011		8487011	
				Lead Coated	8486013		8487013	
				White	8486017		8487017	
				Bright Brass	-		8487018	
Model H	155°F (68°C) (Red Bulb)	100°F (38°C)	5.6 (8.1)	Brass	8486020		8487020	
				Chrome	8486021		8487021	
				Coro-Coated (Wax)	8486022		8487022	
				Lead Coated	8486023		8487023	
				Coro-Coated over Lead	8486026		8487026	
				White	8486027		8487027	
				Bright Brass	-		8487028	
				Black	-		8487029	
Model H	175°F (79°C) (Yellow Bulb)	150°F (66°C)	5.6 (8.1)	Brass	8486030		8487030	
				Chrome	8486031		8487031	
				Coro-Coated (Wax)	8486032		8487032	
				Lead Coated	8486033		8487033	
				Coro-Coated over Lead	8486036		8487036	
				White	8486037		8487037	
				Bright Brass	-		8487038	
Model H	200°F (93°C) (Green Bulb)	150°F (66°C)	5.6 (8.1)	Brass	8486040		8487040	
				Chrome	8486041		8487041	
				Coro-Coated (Wax)	8486042		8487042	
				Lead Coated	8486043		8487043	
				Coro-Coated over Lead	8486046		8487046	
				White	8486047		8487047	
				Bright Brass	-		8487048	
				Black	-		8487049	
Model H	286°F (141°C) (Blue Bulb)	225°F (107°C)	5.6 (8.1)	Brass	8486050		8487050	
				Chrome	8486051		8487051	
				Coro-Coated (Wax)*	8486052		8487052	
				Lead Coated	8486053		8487053	
				White	8486057		8487057	
Model H	360°F (182°C) (Purple Bulb)	300°F (149°C)	5.6 (8.1)	Brass	8486060		8487060	
				Chrome	8486061		8487061	
				Lead Coated	8486063		8487063	
				White	8486067		8487067	
Model H	Open		5.6 (8.1)	Brass	8486000		8487000	
				Chrome	8486001		8487001	
				Lead Coated	8486003		8487003	
				White	8486007		8487007	

*286°F with 212°F Coro-Coat. Maximum ambient temperature 150°F (FM Approved Only)

This information is only a general guideline. The company reserves the right to change any portion of this information without notice. Terms and conditions of sale apply and are available on request.

10/01 Printed in USA SPS200.QXD