

**DATA SHEET  
#SPS203**

**MODEL H  
STANDARD RESPONSE  
HORIZONTAL SIDEWALL  
SIN: AS5632**

**Model**

- "Automatic" Standard Response Horizontal Sidewall Glass Bulb Sprinklers, Model H - 15mm (1/2" Orifice x 1/2" NPT)

**K Factor**

- 5.6 (8.1)

**Sprinkler Identification Number (SIN)**

- AS5632

**Approvals**

- UL and ULC Listed for Light & Ordinary Hazard Occupancies and FM Approved\* for Light Hazard Occupancies; MEA Accepted, No. 192-98-E

**To Specify**

- Furnish and install "Automatic" Sprinkler Brand Model H Standard Response Horizontal Sidewall Glass Bulb Sprinkler. Style, NPT, orifice, K-Factor, finish, and temperature rating as required.

**Temperature Ratings**

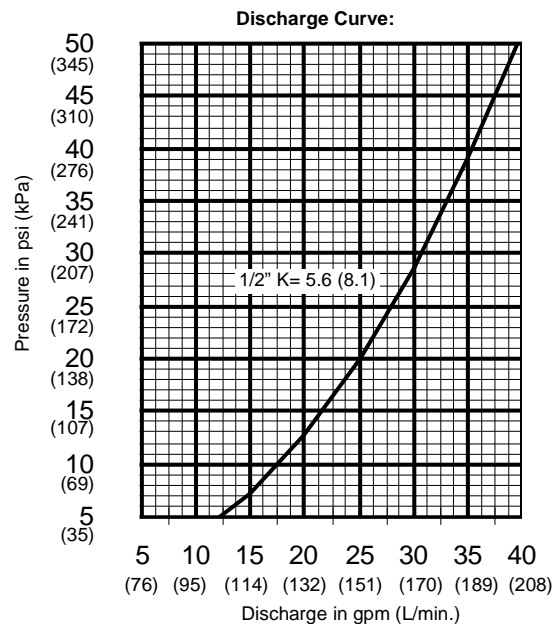
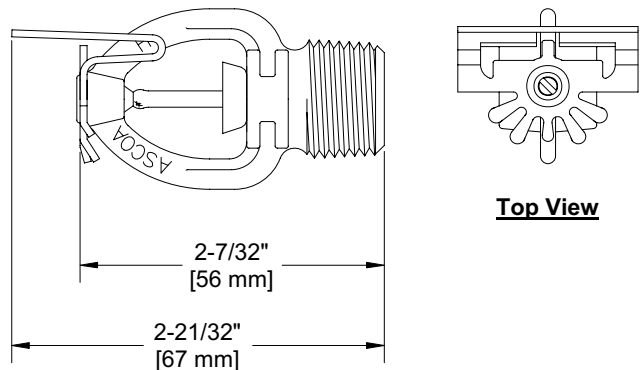
- 135°F (57°C)
- 155°F (68°C)
- 175°F (79°C)
- 200°F (93°C)
- 286°F (141°C)
- 360°F (182°C)\*
- Open (No Rating)

**Finishes**

- Plain Brass
- Chrome Plated (Bright)
- White
- Bright Brass
- Coro-Coated (Wax)
- Coro-Coated over Lead
- Lead Coated

**Note:**

See back of page for available style, temperature rating and finish combinations.



# QUICK RESPONSE SUBMITTAL SHEET

## Ordering Information

- “Automatic” Model H - 1/2” Orifice x 1/2” NPT - Horizontal Sidewall

Type	Temperature Rating	Maximum Ambient Temperature	K Factor	Finish	Stock Code No.	Submittal (Check One)
Model H	135°F (57°C) (Orange Bulb)	100°F (38°C)	5.6 (8.1)	Brass	8481010	
				Chrome	8481011	
				Lead Coated	8481013	
				White	8481017	
				Bright Brass	8481018	
Model H	155°F (68°C) (Red Bulb)	100°F (38°C)	5.6 (8.1)	Brass	8481020	
				Chrome	8481021	
				Coro-Coated (Wax)	8481022	
				Lead Coated	8481023	
				Coro-Coated over Lead	8481026	
				White	8481027	
				Bright Brass	8481028	
Model H	175°F (79°C) (Yellow Bulb)	150°F (66°C)	5.6 (8.1)	Brass	8481030	
				Chrome	8481031	
				Coro-Coated (Wax)	8481032	
				Lead Coated	8481033	
				Coro-Coated over Lead	8481036	
				White	8481037	
Model H	200°F (93°C) (Green Bulb)	150°F (66°C)	5.6 (8.1)	Brass	8481040	
				Chrome	8481041	
				Coro-Coated (Wax)	8481042	
				Lead Coated	8481043	
				Coro-Coated over Lead	8481046	
				White	8481047	
Model H	286°F (141°C) (Blue Bulb)	225°F (107°C)	5.6 (8.1)	Brass	8481050	
				Chrome	8481051	
				Lead Coated	8481053	
Model H	360°F (182°C) (Purple Bulb)	300°F (149°C)	5.6 (8.1)	Brass	8481060	
				Chrome	8481061	
				Lead Coated	8481063	
Model H	Open		5.6 (8.1)	Brass	8481000	
				Chrome	8481001	
				Lead Coated	8481003	

This information is only a general guideline. The company reserves the right to change any portion of this information without notice. Terms and conditions of sale apply and are available on request.

07/01 Printed in USA SPS203.QXD

## “Automatic” Sprinkler Fire Protection Equipment