



# Exposed Fire Department Connections



## 23-196

### Single Inlet Connection

Consists of:

- (1) 24-209 round plate, Branded: "Standpipe", or Auto-Sprk"
  - (1) 23-270 double female or 09-215 male x female connection. Rigid hexagon end of either connection 2-1/2" or 3" NPT, swivel ends is female 2-1/2" thread.
  - (1) 17-127 2-1/2" pin lug plug with chain.
- Finish: Polish or chrome.  
Specify: Plate brand, swivel thread and finish.



## 23-197

### Single Inlet Residential Connections

Exposed Type for residential "Automatic" sprinkler systems. Consists of:

- (1) 17-127 1-1/2" pin lug plug with chain.
  - (1) 24-209 4-7/16" O.D. round escutcheon plate with swivel.
- Finish: Cast. NST Only.



## 21-CSnoot

### Single Clapper Check Snoot

Used to connect fire hose on multiple Inlet Fire Dept. connections. Checks excess backflow. 3" Male NPT x 2 1/2" Female (Swivel) NST  
Finish: Cast Brass and Polished Chrome.



## 21-201

### "Y" Type "Short Body" Single Clapper

Siamese UL Listed and FM Approved, ULC.  
finish: Cast, polished, or chrome.  
Branding: "Auto-Sprk" Only.



## 21-202

### 90° Single Clapper Siamese

UL Listed.

Finish: Cast, polished or chrome.  
Branding: "Auto-Sprk" Only.  
Specify: Size, thread, and finish required.

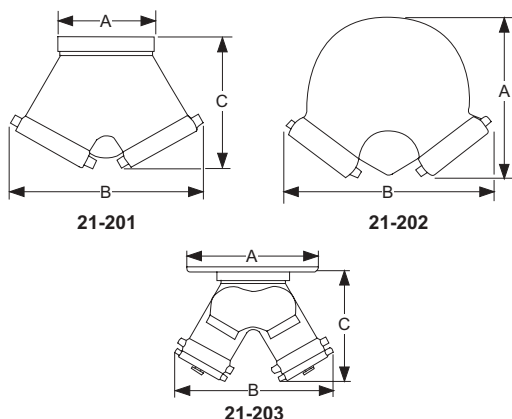


## 21-203

### Double Clapper Siamese

D. C. "Y" Siamese is a complete unit - consisting of:

- (1) 21-132 D.C. "Y" siamese body
  - (2) 17-127 pin lug plugs with chains
  - (1) 24-209 escutcheon plate
- NOTE: Specify "Auto-Sprk.-Standpipe" size, threads and finish.  
Specify: Size, threads and finish.



Size	Style	A	B	C
4 x 2-1/2 x 2-1/2*#	21-201	5-1/8	9	6-1/16
	mm	(130)	(230)	(153)
6 x 2-1/2 x 2-1/2*	21-202	6-7/8	9-7/8	N/A
	mm	(175)	(250)	N/A
4 x 2-1/2 x 2-1/2*#	21-203	9-1/4	10-3/8	7-1/16
	mm	(235)	(264)	(189)
6 x 2-1/2 x 2-1/2*	21-203	11-1/4	11-3/4	10-1/4
	mm	(286)	(298)	(260)

\*UL Listed.  
# FM Approved.



**21-132**  
**“Y” Type**  
**21-133**  
**90° Type**  
**Double Clapper Siamese**  
 Branding: “Standpipe”,  
 “Auto-Sprk”, “Auto-Sprk.-Standpipe”.  
 Finish: Cast, polished or chrome.



**50-510**  
**Storz Large Diameter Fire Department Connection**  
 Anodized aluminum adapter with blind cap and attachment cable. Complete with escutcheon plate.  
 Branding: “Standpipe”, “Auto-Sprk”, “Auto-Sprk.-Standpipe”.  
 Sizes:  
 4” NPT x 4” Storz-Straight or 30°  
 4” NPT x 5” Storz-Straight or 30°



**21-205**  
**Three Way Triple Clapper “Y”**  
 Siamese made with either a 4” or 6” outlet and three 2-1/2” swivel inlets.  
 Branding: “Standpipe”, “Auto-Sprk”, “Auto-Sprk.-Standpipe”.  
 Finish: Cast, polished or chrome.  
 Specify: Size, threads, finish, branding. Plugs additional.



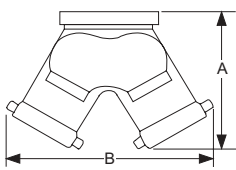
**21-206**  
**Three Way Triple Clapper 90°**  
 Siamese made with either a 4” or 6” outlet and three 2-1/2” swivel inlets.  
 Branding: “Standpipe”, “Auto-Sprk”, “Auto-Sprk.-Standpipe”.  
 Specify: Size, threads, finish, branding. Plugs additional.



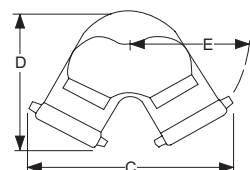
Size	Style	A	B	C	D	E
4 X 2-1/2 X 2-1/2*	21-132/133	9-5/8	12-1/4	11-3/4	9-5/8	7-1/4
	mm	(244)	(311)	(298)	(244)	(184)
6 X 2-1/2 X 2-1/2	21-132/133	10-1/4	11-3/4	11-3/4	10-3/4	7-1/4
	mm	(260)	(298)	(298)	(273)	(184)
4 x 3 x 3*#^	21-132/133	10	12-1/2	12-1/2	10-1/8	7-1/4
	mm	(254)	(317)	(317)	(257)	(184)
6 x 3 x 3*^	21-132/133	10-1/8	12-1/2	12-1/4	10-7/8	7-1/4
	mm	(263)	(317)	(317)	(276)	(184)



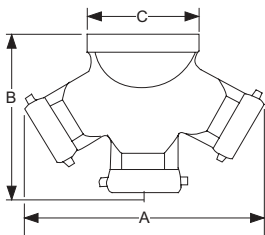
\*UL Listed.  
 #FM Approved.  
 ^Approved by NYC Board of Standards and Appeals.



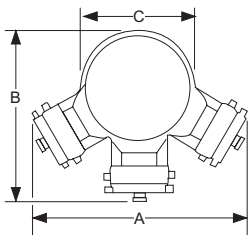
21-132



21-133



21-205



21-206

Size	Style	A	B	C
4 x 2-1/2 x 2-1/2 x 2-1/2	21-205	13-3/4	10-1/2	5
	mm	(349)	(266)	(127)
6 x 2-1/2 x 2-1/2*	21-205	13-3/4	10-1/2	7-1/2
	mm	(349)	(266)	(190)
4 x 2-1/2 x 2-1/2 x 2-1/2	21-206	14-1/2	11-1/2	7-5/8
	mm	(368)	(292)	(194)
6 x 2-1/2 x 2-1/2	21-206	14-1/2	11-1/2	7-5/8
	mm	(368)	(292)	(194)

\* UL Listed.

This information is only a general guideline. The company reserves the right to change any portion of this information without notice. Terms and conditions of sale apply and are available on request.