

DATA SHEET #PHF410

MODEL 18-157, 18-158 Angle Hose Valve - 500 PSI

General

The "Powhatan" Model 18-157-50000, 18-158-50000 Angle Hose Valves are designed for use in piping systems where it is necessary to access the system for a fire hose connection. Typical applications are in fire department connections, gravity and pressure tank connections, and public water supplies to sprinkler and standpipe systems.

- 2½" (63.5 mm) Valve.
- Female x Male, Female x Female - 500 PSI WWP (3447.3 kPa or 34.5 Bars).
- FM Approved and New York City Board of Standards.
- Weight - 10 Lbs.-6 Oz. (4.77 Kilograms).

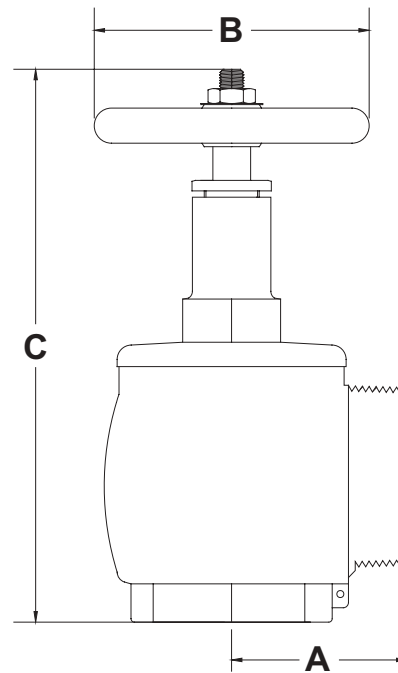
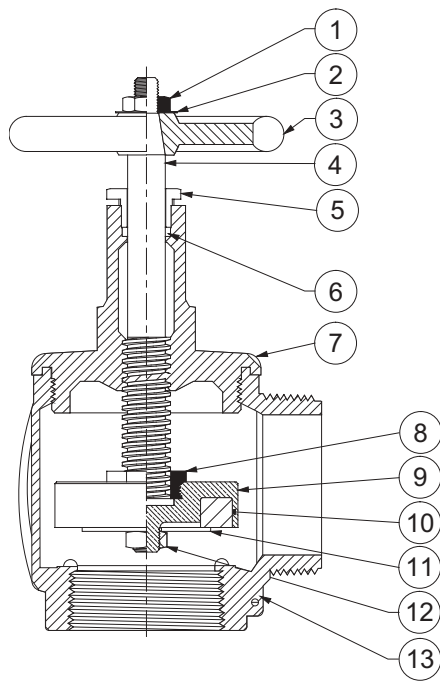
Description / Operation

The Model 18-157-50000 Female Inlet x Male Outlet, NPT inlet only, male outlet: specify your male hose thread. Valve is made in 2-1/2" pipe size for both horizontal and vertical installation.

The Model 18-158-50000 Female Inlet x Female Outlet, NPT only. Valve is made in 2-1/2" pipe size for both horizontal and vertical installation.

Both valves are manufactured from cast brass, Alloy C84400 and are shipped complete with aluminum hand wheel.



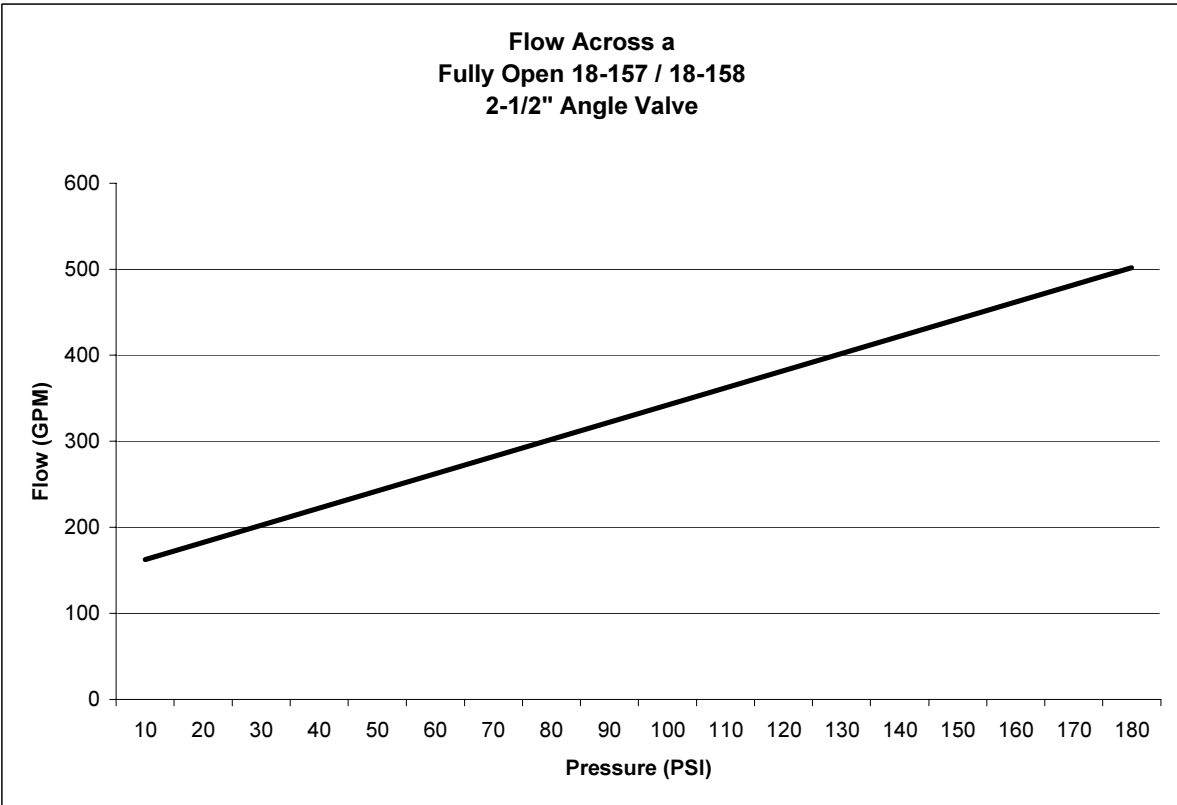
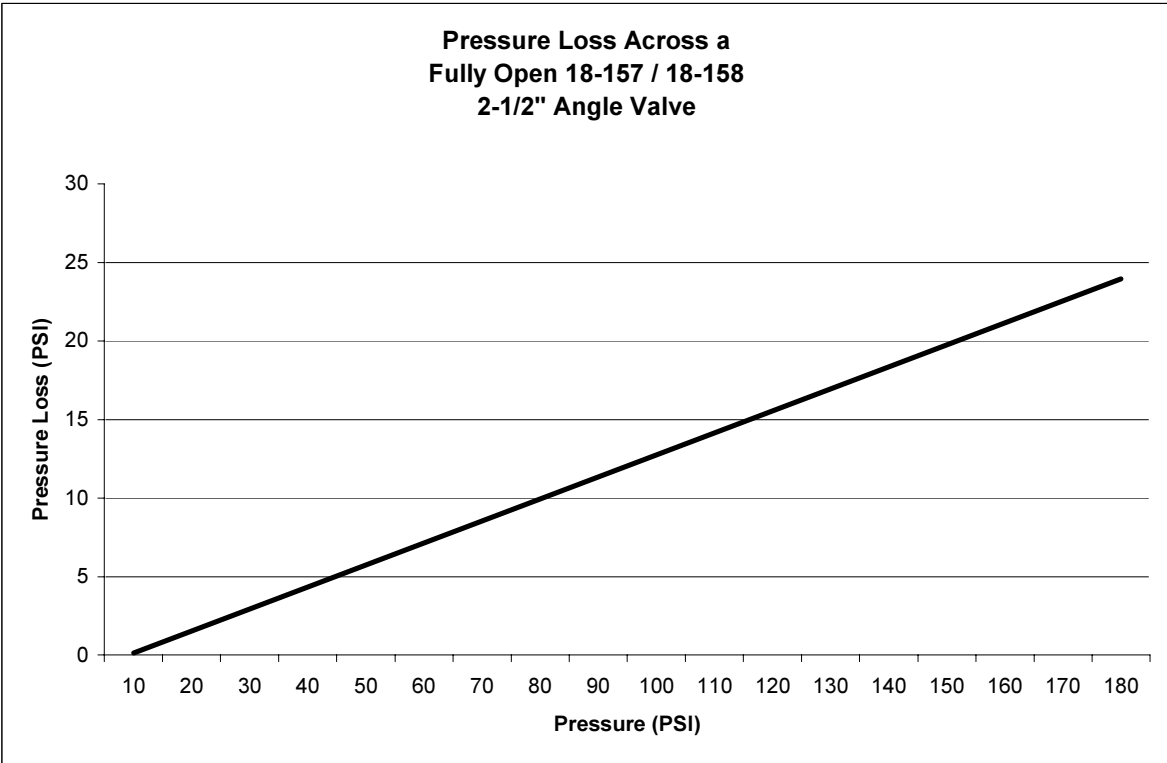


A	B	C (Closed)	C (Open)
3-3/16"	5"	9-1/4"	11"
80.9 mm	127 mm	235 mm	279.4 mm

Parts List

"Powhatan" Model 18-157-50000, 18-158-50000 Angle Hose Valve

Item No.	Part Name	Material	Part Number
1	Hex Nut	Brass/ Alloy C36000	4601100947
2	Model Tag	Stainless Steel	4602101055
3	Hand Wheel	Cast Iron	4415700023
4	Stem	Brass/ Alloy C36000	4315700573
5	Stuff Nut	Brass/ Alloy C36000	4315700051
6	O-Ring	Rubber Nitrile 115 SP3	4601201396
7	Bonnet	Cast Brass/ Alloy C84400	4315750001
8	Lock Nut	Cast Brass/ Alloy C36000	4315700053
9	Disc Holder	Brass/ Alloy C36000	4315700069
10	Disc	Styrene Butadiene	4601201416
11	Disc Washer	Phosphor Bronze Alloy C51000	4601800020
12	Hex Nut	Stainless Steel	4601100081
13	Body	Cast Brass/ Alloy C84400	4315750000



This information is only a general guideline. The company reserves the right to change any portion of this information without notice. Terms and conditions of sale apply and are available on request. 09/01 Printed in USA (PHF410.P65)