



ANGLE and GLOBE VALVES

POWHATAN

NNI

DATA SHEET #PHF400

Angle Hose Valves

Underwriters' Listed and Factory Mutual Approved and New York City Board of Standards and Appeals Approved, ULC. 1-1/2" and 2-1/2" sizes for pressures up to 300 psi (2069 kPa).



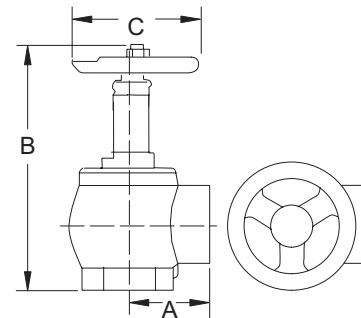
**18-157
Female Inlet**
NPT only. Male outlet. Specify your male hose thread. With aluminum handwheel.
Finish: Cast, polished or chrome.



**18-158
Double Female**
Inlet and outlet - NPT only. With aluminum handwheel.
Finish: Cast, polished or chrome.



**18-217
Straight Globe Valve**
Made in 1-1/2" and 2-1/2" sizes for pressures up to 300 psi (2069 kPa). Double female NPT inlet and outlet or female NPT inlet and male hose thread outlet.
Finish: Cast, polished or chrome.

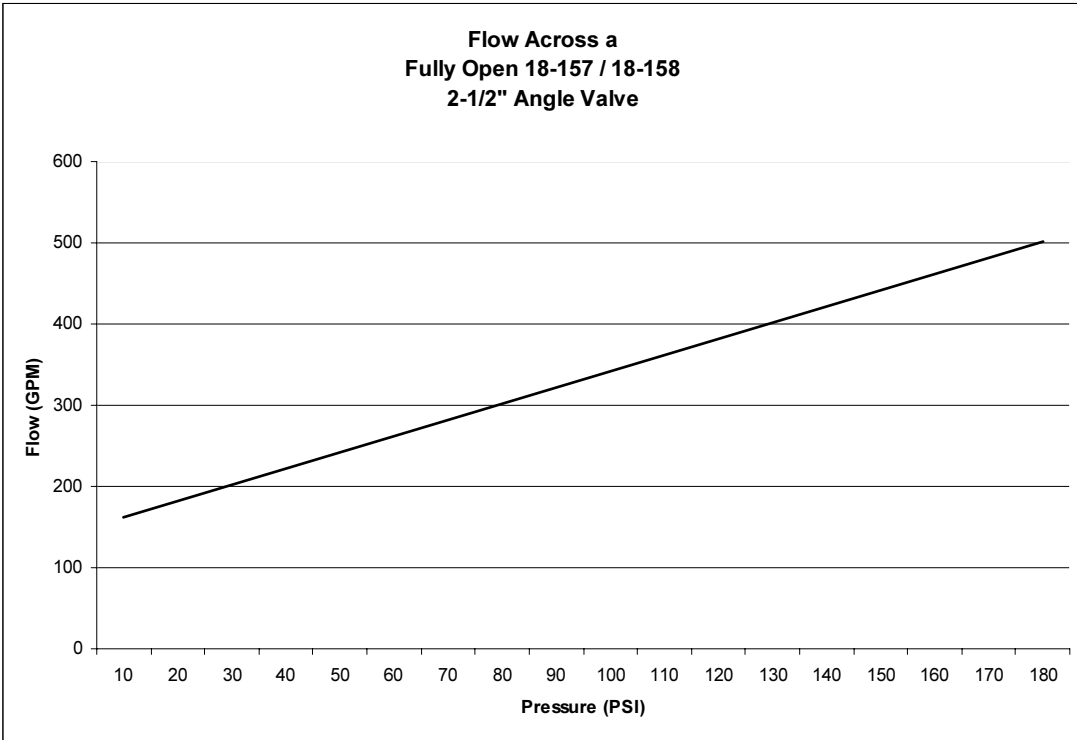
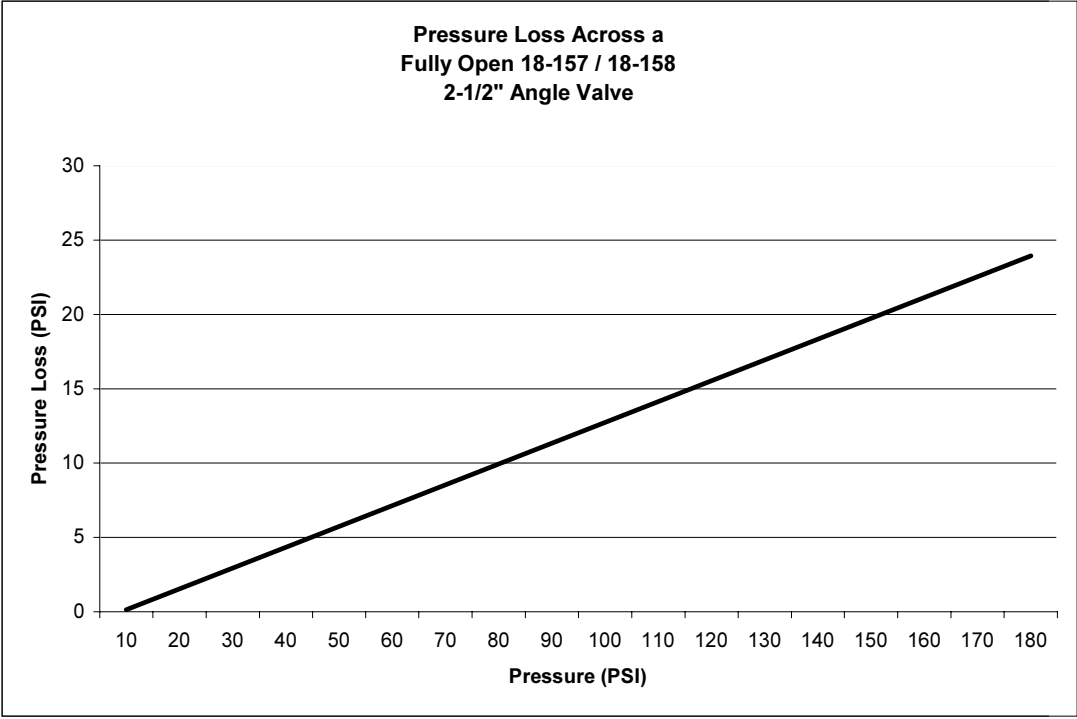


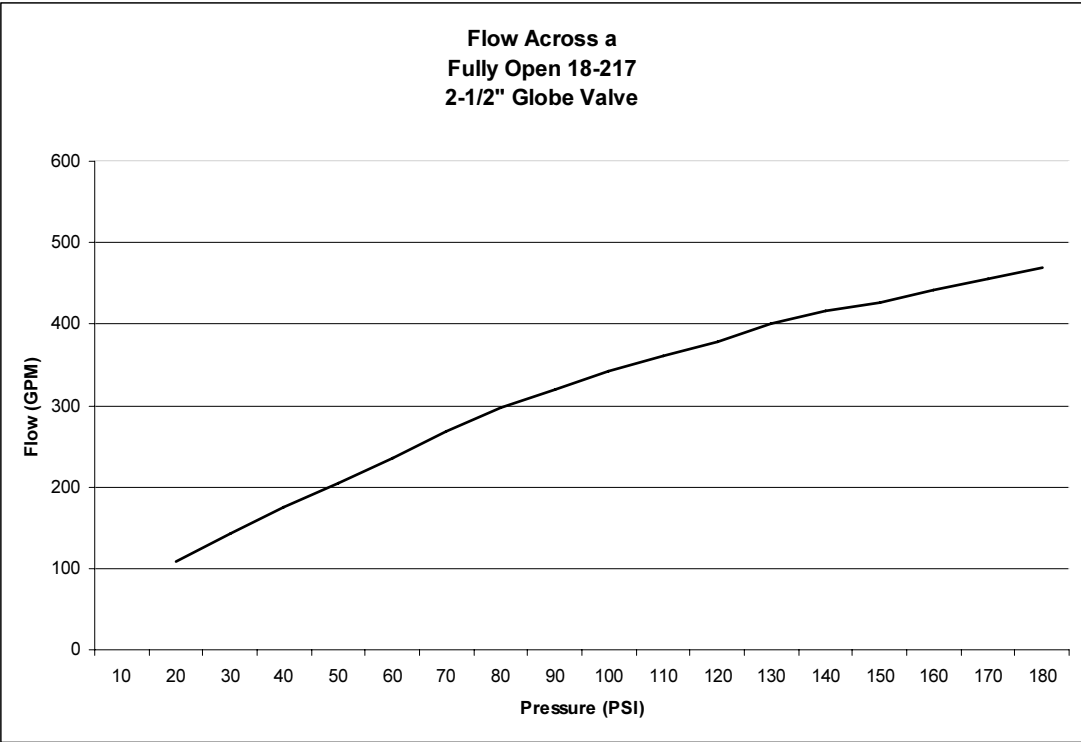
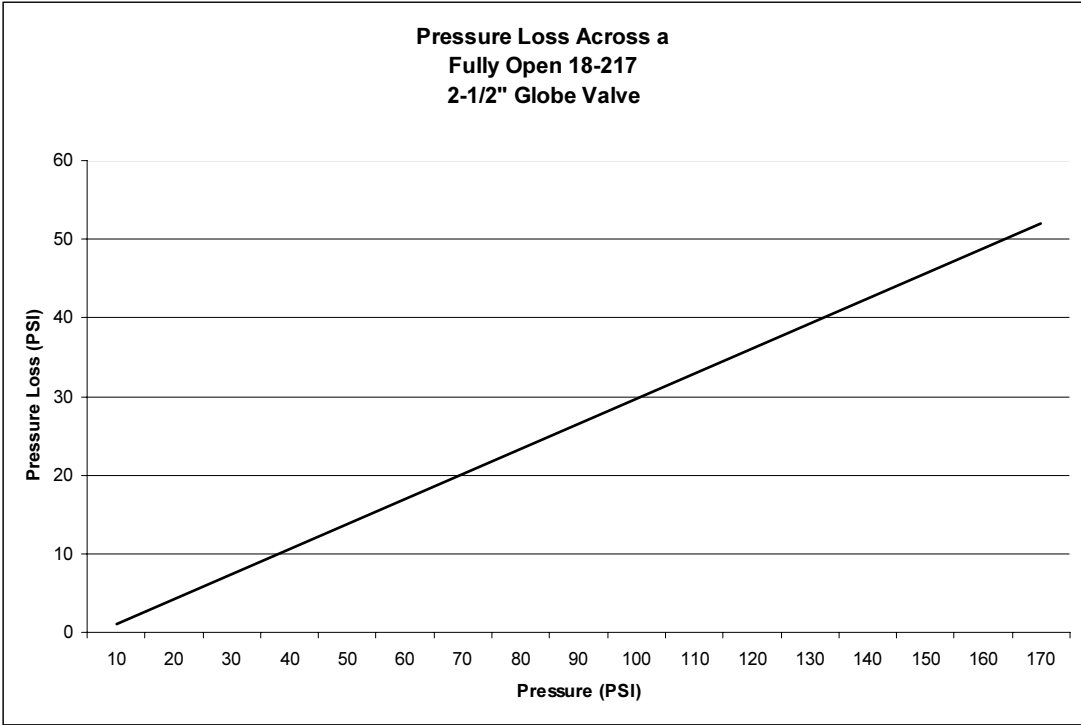
Size	Style	A	B/Closed	B/Open	C	Weight
1-1/2	18-157 or -158	2-11/64	6-5/8	7-21/32	3-3/4	4 lb. - 8 oz.
	mm	(55)	(162)	(188)	(95)	(2.0 kg)
2-1/2	18-157 or -158	3-3/16	9-1/4	11	5	9 lb. - 5 oz.
	mm	(81)	(242)	(192)	(127)	(4.3 kg)

FRICION LOSS @ 120:

- For 1-1/2" figure 14.0 EQFT of pipe.
- For 2-1/2" figure 20.0 EQFT of pipe.

ANGLE and GLOBE VALVES





This information is only a general guideline. The company reserves the right to change any portion of this information without notice. Terms and conditions of sale apply and are available on request.

10/01 Printed in USA PHF400.QXD