



# ANGLE and GLOBE VALVES

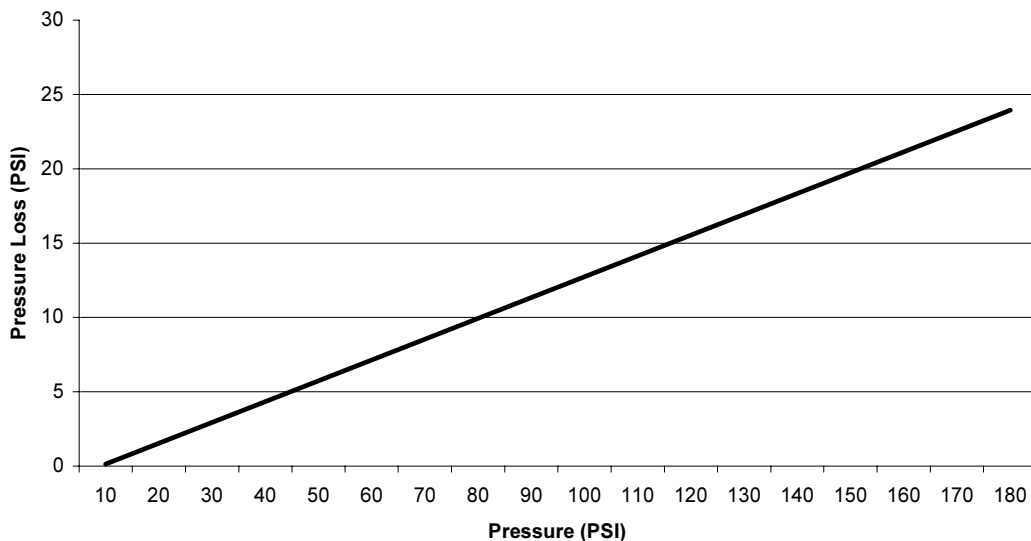
# NNI

## Angle Hose Valves

Underwriters' Listed and Factory Mutual Approved and New York City Board of Standards and Appeals Approved, ULC.  
1-1/2" and 2-1/2" sizes for pressures up to 300 psi (2069 kPa).

Finish : Cast Brass, Available in Female NPT x Male NST or Female NPT x Female NPT with Handwheel.  
Optional Finish : Chrome, Polished Brass, Polished Chrome

Pressure Loss Across a Fully Open  
2 1/2" Angle Valve

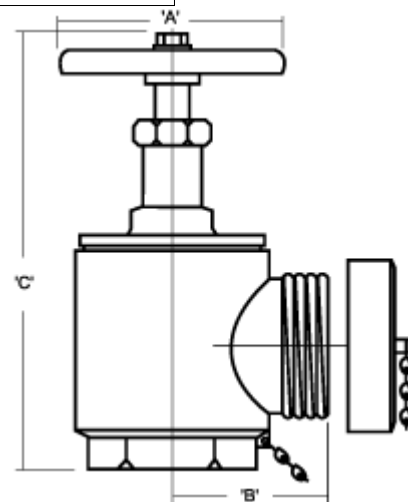


### Specifications

A	5" (125 mm)
B	3-3/16" (79 mm)
C (Open)	11" (275 mm)
C (Closed)	9-1/4" (231 mm)
Weight	9 lbs. (4.09 kg)
Working Press.	300 lb. (2070 kPa)

### FRICION LOSS @ 120:

- For 1-1/2" figure 14.0 EQFT of pipe.
- For 2-1/2" figure 20.0 EQFT of pipe.



This information is only a general guideline. The company reserves the right to change any portion of this information without notice. Terms and conditions of sale apply and are available on request.