



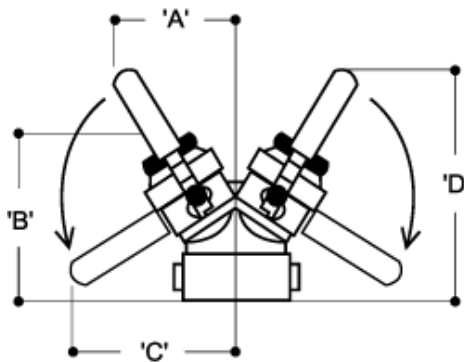
# LEADER LINE SIAMESE GATED 'Y' & HYDRANT GATE VALVE

**LEADER  
LINE  
SIAMESE**

**HF-100**



2-1/2" (65 mm) Female regional hose thread brass Swivel x . 1-1/2" (38 mm) male regional hose thread outlets. Red painted finish.



Dimensions

A	4-1/2" (113 mm)
B	5-1/2" (138 mm)
C	5-3/4" (144 mm)
D	7-1/8" (178 mm)

**HYDRANT  
VALVE**

**IE 27**



Model: IE27



Model: 5120

- Model 5120 with Round handle
- 
- UL listed/FM approved
- Used on dry systems as fire hose
- outlet connections and on pump test
- manifolds
- Solid wedge disc with tapered seats
- Cast brass construction, 300 PSI
- Hose valve, 2½" F. hose thread
- swivel inlet x 2½" M. hose thread outlet

Staright pattern, Non-rising Stem 300lb (2070Kpa) Hose Gate valve for Standpipe Fire Pumps and Hydrant Applications. Brass body and trim, Regional thread rocker Lug female hose swivel x Male regional hose thread outlet

Optional: Round handle available upon request.

This information is only a general guideline. The company reserves the right to change any portion of this information without notice. Terms and conditions of sale apply and are available on request. 10/01 Printed in USA PHF1000.QXD