



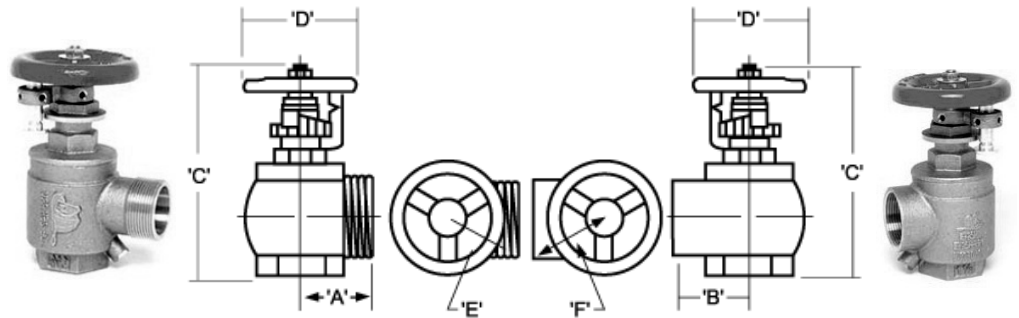
PRESSURE RESTRICTING VALVES

NNI

1½" Female NPT x Female NPT



1½" FxF or FxM combination angle hose and pressure restricting valve adjustable up to 300 lbs. Automatically drains and vents against hose deterioration. Locking pin device restricts full opening of valve. ULC, UL and FM Listed.
 Finish : Cast Brass
 Optional Finish : Chrome Plated, High Polished Chrome



1½" Female NPT x Male NST



Dimensions 1-1/2" (38 mm)

A	2-7/32" (56 mm)
B	2-11/64" (55 mm)
C (Open)	6-13/16" (172 mm)
C (Closed)	7-27/32" (199 mm)
D	3-3/4" (95 mm)
E	2-7/16" (62 mm)
F	2-13/32" (61 mm)
Weight	4 lbs 12 oz. (2.15 kg)

IE-15H-PRV

1½" Female NPT x Female NPT

IE-15H-M-PRV

1½" Female NPT x Male NST

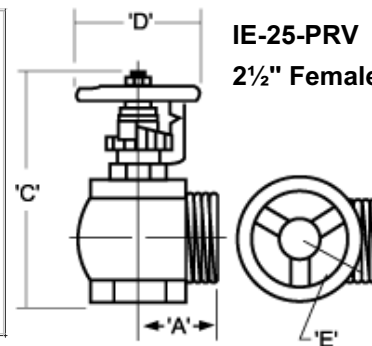
2½" Female NPT x Male NST



2½" FxM combination angle hose and pressure restricting valve adjustable up to 300 lbs. Automatically drains and vents against hose deterioration. Locking pin device restricts full opening of valve. ULC, UL and FM Listed.
 Finish : Cast Brass
 Optional Finish : Chrome Plated, High Polished Chrome

Dimensions 2-1/2" (65 mm)

A	3-7/32" (80 mm)
B	3-3/16" (81 mm)
C (Open)	9" (229 mm)
C (Closed)	10-5/8" (270 mm)
D	5" (127 mm)
E	3-19/32" (91 mm)
F	3-17/32" (89 mm)
Weight	12 lbs (5.45 kg)



IE-25-PRV

2½" Female NPT x Male NST