



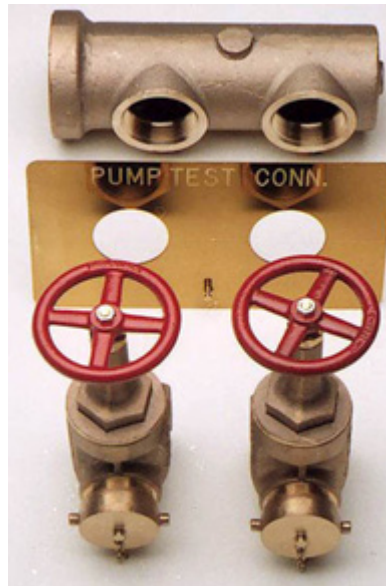
# UNIVERSAL CONNECTIONS without CLAPPERS



## 25-416

### Standpipe Inlet Connections

Have NPT outlets of 4", 5", 6" or 8" and two or more 3" NPT inlets as shown in the table and pictured. These units can be installed in either horizontal or vertical position. Two types of spring check snoots are available. The long pattern 25-288 for use with a connecting pipe nipple and the short pattern 25-289 for direct connection to the body.



## 25-371

### Pump Test Connection

Pump Test Connection is used to test flow capacity of fire pumps. Each outlet is equipped with a 19-280 gate valve capable of a minimum flow of 250 gpm per NFPA 20. The connection consists of one (1) 25-416 body with end inlet, one (1) 25-376 plate and two (2) 3" NPT x 2-1/2" 19-280 wedge disc gate valve with 17-126 caps and chain for each outlet. For proper configuration, see the chart below.

Body Style - Specify inlet position if other than end.

Body Finish: Cast brass.

Plate: Polished or chrome.

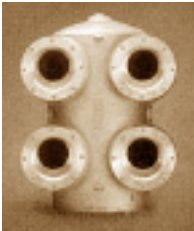
Specify: Male hose outlet thread required.

## 25-417

### Box Type Bodies

Has NPT outlet of 6" with four 3" NPT inlets as shown.

Finish: Cast.



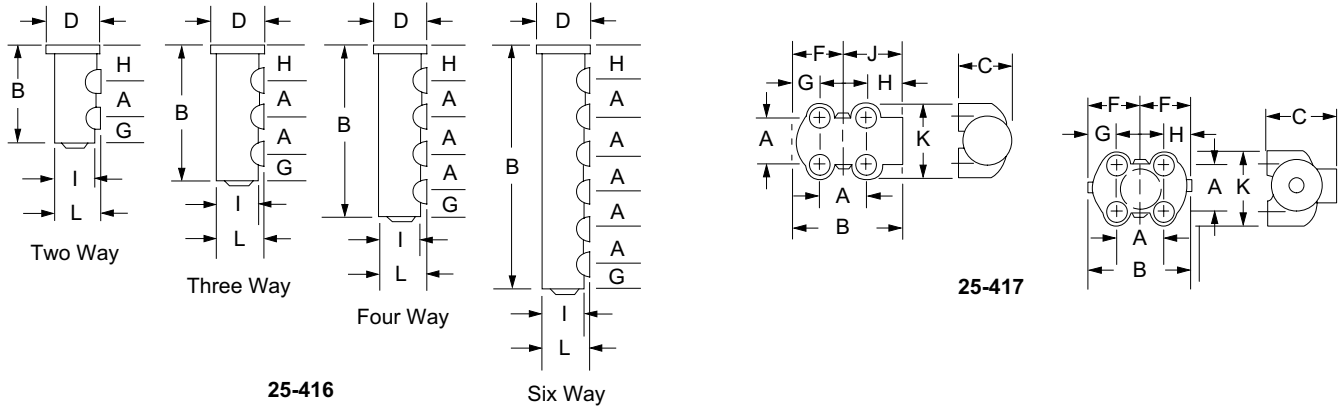
**Note:** Refer below for applicable fittings and Data Sheet PHF6000 for wall plates.

**Note:** Model 25-416 and 25-417 bodies may be used for either inlet or outlet applications. For inlet applications such as standpipe connections, the long and short pattern must be used. For outlet applications such as a pump test or wall hydrant manifold a 3" NPT double male nipple would be installed in the 25-416 body for installation of gate valves.

| Pump<br>gpm | lpm    | Inlet<br>Size | No. of<br>Outlets |
|-------------|--------|---------------|-------------------|
| 500         | (1893) | 4" NPT        | 2-2-1/2"          |
| 750         | (2839) | 6" NPT        | 3-2-1/2"          |
| 1000        | (3785) | 6" NPT        | 4-2-1/2"          |
| 2000        | (7570) | 8" NPT        | 6-2-1/2"          |

25-371

# UNIVERSAL CONNECTIONS without CLAPPERS



| Size & Description | Style  | A     | B      | C     | D      | E     | F     | G     | H     | I     | J     | K       | L       |
|--------------------|--------|-------|--------|-------|--------|-------|-------|-------|-------|-------|-------|---------|---------|
| 4" Two Way         | 25-416 | 7     | 15-1/4 | -     | 6      | -     | -     | 3-1/4 | 5     | 5     | -     | -       | 5-1/4   |
|                    | mm     | (178) | (387)  | -     | (152)  | -     | -     | (83)  | (127) | (127) | -     | -       | (133)   |
| 4" Three Way       | 25-416 | 7     | 22-1/4 | -     | 6-3/4  | -     | -     | 3-1/4 | 5     | 6     | -     | -       | 6-1/4   |
|                    | mm     | (178) | (365)  | -     | (171)  | -     | -     | (83)  | (127) | (152) | -     | -       | (159)   |
| 6" Three Way       | 25-416 | 7     | 22-1/2 | -     | 7-5/8  | -     | -     | 2-3/4 | 5     | 7-1/2 | -     | -       | 7-5/8   |
|                    | mm     | (178) | (572)  | -     | (194)  | -     | -     | (70)  | (127) | (191) | -     | -       | (194)   |
| 6" Four Way        | 25-416 | 7     | 28-1/4 | -     | 7-5/8  | -     | -     | 2-3/4 | 5     | 7-1/2 | -     | -       | 7-5/8   |
|                    | mm     | (178) | (730)  | -     | (194)  | -     | -     | (70)  | (127) | (191) | -     | -       | (194)   |
| 6" Six Way         | 25-416 | 7     | 43     | -     | 9-9/16 | -     | -     | 3     | 5     | 7-1/2 | -     | -       | 7-5/8   |
|                    | mm     | (178) | (109)  | -     | (191)  | -     | -     | (76)  | (127) | (191) | -     | -       | (194)   |
| 8" Six Way         | 25-416 | 7     | 43     | -     | 9-9/16 | -     | -     | 3     | 5     | 7-1/2 | -     | -       | 7-5/8   |
|                    | mm     | (178) | (109)  | -     | (243)  | -     | -     | (76)  | (127) | (191) | -     | -       | (194)   |
| 6" Box-Back Outlet | 25-417 | 7     | 15-1/2 | -     | -      | 8-3/4 | 7-3/4 | 4-1/4 | 4-3/8 | -     | 7-1/8 | -       | 12-5/32 |
|                    | mm     | (178) | (394)  | -     | -      | (222) | (197) | (108) | (111) | -     | (181) | -       | (309)   |
| 6" Box-End Outlet  | 25-417 | 7     | 15-5/8 | 7-7/8 | -      | -     | 7-3/4 | 4-1/4 | -     | -     | -     | 12-5/32 | -       |
|                    | mm     | (178) | (397)  | (200) | -      | -     | (197) | (108) | -     | -     | -     | (309)   | -       |

This information is only a general guideline. The company reserves the right to change any portion of this information without notice. Terms and conditions of sale apply and are available on request. 10/01 Printed in USA PHF3000.QXD