



**Features**

- Inserted Bonnet
- Swivel Type Disc
- Screwed Ends
- Conforms to Specifications of MSS-SP-80

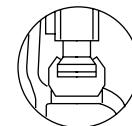
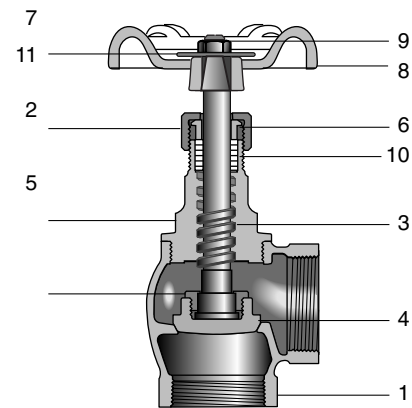
**Working Pressures**

Working Pressure Non-Shock (psi)		Test Pressure (psi)	
Saturated Steam	Cold Water, Oil, Gas	Shell (Water)	Seat (Water)
150	300	450	300

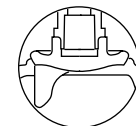
**Materials & Specifications**

Item	Description	Material	Specification
1	Body	Cast bronze	ASTM B62-C83600
2	Bonnet	3/8"	Forged brass
		1/2" - 3"	Cast bronze
3	Stem	Brass alloy	DR alloy*
4	Disc	1/4" - 1 1/2"	Brass alloy
		2" - 3"	Cast bronze
5	Lock nut	3/4" - 1 1/4"	Brass rod
		1 1/2" - 3"	Forged brass
6	Gland	Forged brass	ASTM B124-C37700
7	Packing nut	3/8" - 1 1/2"	Brass rod
		2" - 3"	Cast bronze
8	Handwheel	3/8" & 1/2"	Zinc alloy die casting
		3/4" - 3"	Aluminum alloy die casting
9	Wheel nut	Steel	ASTM A563
10	Gland packing	Plastic graphite	T#2996 NA
11	Name plate	Aluminum plate	ASTM B209-1100

\*Dezincification resistant



Disc construction  
Size 3/8" & 1/2"



Disc construction  
Size 2-1/2" & 3"

**Dimensions & Weights (inches-lbs.)**

Size	1/4	3/8	1/2	3/4	1	1-1/4	1-1/2	2	2-1/2	3	4
L	-	-	-	-	-	-	-	2.60	-	-	-
H	-	-	-	-	-	-	-	7.48	-	-	-
D	-	-	-	-	-	-	-	4.92	-	-	-
Wt.	-	-	-	-	-	-	-	7.12	-	-	-

