



Features

- Inserted Bonnet
- Swivel Type Disc
- Screwed Ends
- Conforms to Specifications of MSS-SP-80

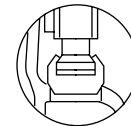
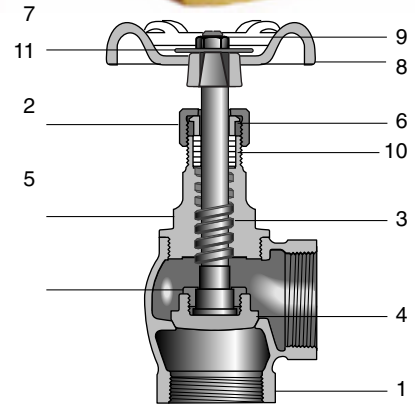
Working Pressures

Working Pressure Non-Shock (psi)		Test Pressure (psi)	
Saturated Steam	Cold Water, Oil, Gas	Shell (Water)	Seat (Water)
125	200	300	200

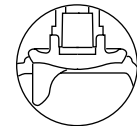
Materials & Specifications

Item	Description	Material	Specification
1	Body	Cast bronze	ASTM B62-C83600
2	Bonnet	3/8"	Forged brass
		1/2" - 3"	Cast bronze
3	Stem	Brass alloy	DR alloy*
4	Disc	1/4" - 1 1/2"	Brass alloy
		2" - 3"	Cast bronze
5	Lock nut	3/4" - 1 1/4"	Brass rod
		1 1/2" - 3"	Forged brass
6	Gland	Forged brass	ASTM B124-C37700
7	Packing nut	3/8" - 1 1/2"	Brass rod
		2" - 3"	Cast bronze
8	Handwheel	3/8" & 1/2"	Zinc alloy die casting
		3/4" - 3"	Aluminum alloy die casting
9	Wheel nut	Steel	ASTM A563
10	Gland packing	Plastic graphite	T#2996 NA
11	Name plate	Aluminum plate	ASTM B209-1100

*Dezincification resistant



Disc construction
Size 3/8" & 1/2"



Disc construction
Size 2-1/2" & 3"

Dimensions & Weights (inches-lbs.)

Size	1/4	3/8	1/2	3/4	1	1-1/4	1-1/2	2	2-1/2	3	4
L	-	1.02	1.18	1.42	1.69	1.97	2.20	2.60	-	-	-
H	-	3.39	3.78	4.37	4.92	5.59	6.42	7.48	-	-	-
D	-	2.48	2.76	3.15	3.54	3.94	4.33	4.92	-	-	-
Wt.	-	0.71	0.88	1.61	2.12	3.26	4.65	7.12	-	-	-

