

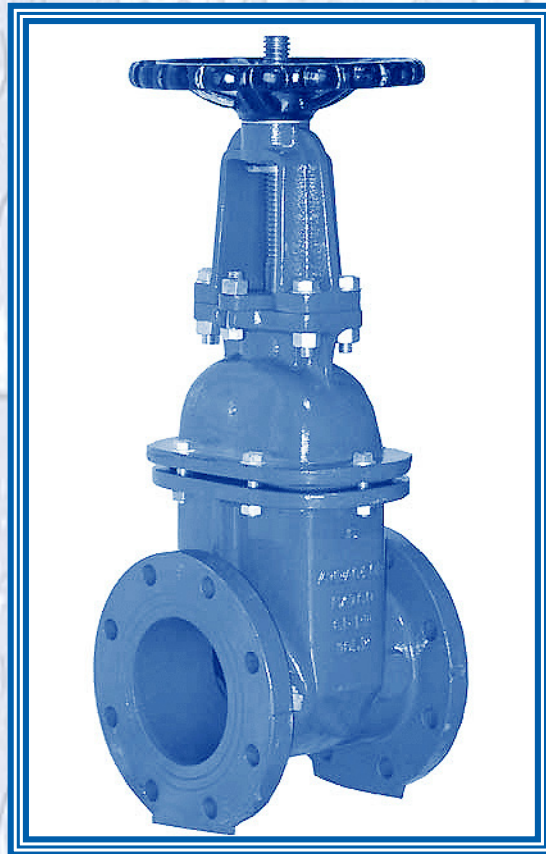
# 105W AWWA C509 CAST IRON OS&Y GATE VALVE

❖ RISING STEM OS&Y      ❖ BOLTED BONNET      ❖ FUSION BONDED EPOXY COATING  
❖ ASTM A126 CLASS B    ❖ ANSI B.16.1      ❖ CLASS 125 FLANGED ENDS    ❖ RESILIENT WEDGE  
**3" - 14" 200 PSI NON-SHOCK CWP      16" 150 PSI NON SHOCK CWP**  
**MAXIMUM TEMPERATURE 140°F**

APPLICATIONS: WATER DISTRIBUTION SERVICE LINES, POTABLE WATER SYSTEMS, SEWAGE DISPOSAL

**PRODUCT SPEC SHEET**

**105W    3"-16"**



# 105W AWWA C509 CAST IRON OS&Y GATE VALVE

❖ RISING STEM OS&Y  
 ❖ ASTM A126 CLASS B  
 3" - 14" 200 PSI NON-SHOCK CWP

❖ BOLTED BONNET  
 ❖ ANSI B.16.1

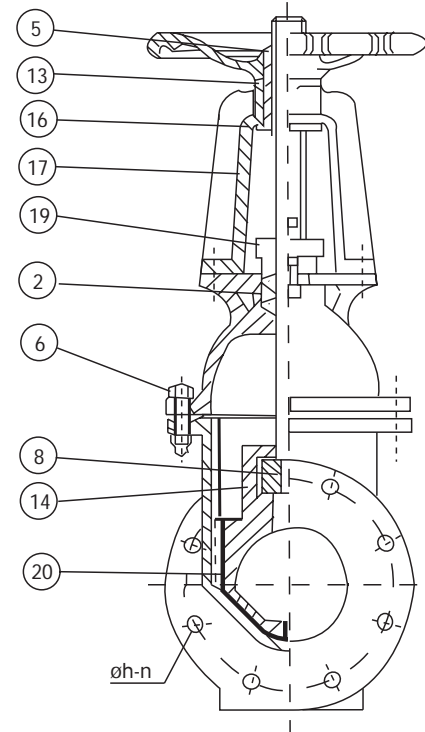
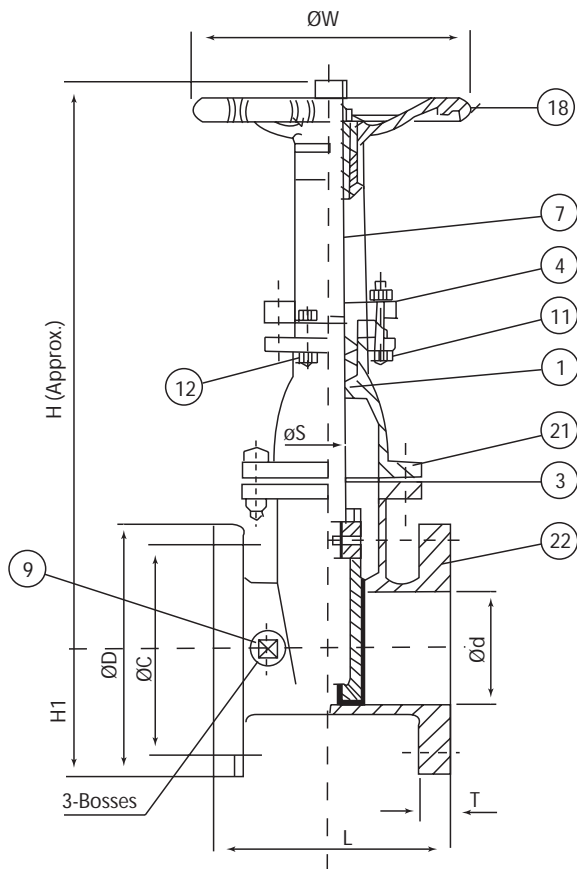
❖ CLASS 125 FLANGED ENDS

❖ FUSION BONDED EPOXY COATING  
 ❖ RESILIENT WEDGE

16" 150 PSI NON SHOCK CWP

MAXIMUM TEMPERATURE 140°F

APPLICATIONS: WATER DISTRIBUTION SERVICE LINES, POTABLE WATER SYSTEMS, SEWAGE DISPOSAL



| DIMENSIONS |        |        |        |       |    |        |       |       |        |          |              |
|------------|--------|--------|--------|-------|----|--------|-------|-------|--------|----------|--------------|
| SIZE<br>ød | L      | øD     | øC     | øn    | n  | T      | øS    | H     | H1     | øW       | Plug<br>Size |
| 3          | 8      | 7-1/2  | 6      | 3/4   | 4  | 3/4    | 7/8   | 15.20 | 3-3/4  | 7-13/16  | 1/2 NPT      |
| 4          | 9      | 9      | 7-1/2  | 3/4   | 8  | 15/16  | 1     | 18.78 | 4-1/2  | 9-7/8    | 1/2 NPT      |
| 6          | 10-1/2 | 11     | 9-1/2  | 7/8   | 8  | 1      | 1-1/8 | 24.72 | 5-1/2  | 11-13/16 | 3/4 NPT      |
| 8          | 11-1/2 | 13-1/2 | 11-3/4 | 7/8   | 8  | 1-1/8  | 1-1/4 | 30.55 | 6-3/4  | 14       | 3/4 NPT      |
| 10         | 13     | 16     | 14-1/4 | 1/2   | 12 | 1-3/16 | 1-1/2 | 37.36 | 8      | 15-3/4   | 1 NPT        |
| 12         | 14     | 19     | 17     | 1/2   | 12 | 1-1/4  | 1-1/2 | 42.72 | 9-1/2  | 17-3/4   | 1 NPT        |
| 14         | 15     | 21     | 18-3/4 | 1-1/8 | 12 | 1-3/4  | 1-1/2 | 46.19 | 10-1/2 | 17-3/4   | 1 NPT        |
| 16         | 16     | 23-1/2 | 21-1/4 | 1-1/8 | 16 | 1-7/16 | 2     | 53.27 | 11-3/4 | 27-9/16  | 1 NPT        |

| MATERIAL SPECIFICATIONS |                   |   |                                |
|-------------------------|-------------------|---|--------------------------------|
| No.                     | PARTS             | MATERIALS                                   | ASTM DESIGNATION               |
| 1                       | O-Ring            | Rubber (Buna N)                             | D 2000 BK 707                  |
| 2                       | Packing           | Braided Packing<br>Synthetic Yarn<br>w/PTFE |                                |
| 3                       | Bonnet Gasket     | Rubber (Buna N)                             | D 2000 BK 707                  |
| 4                       | Washer B          | Zinc Coated Steel                           | A 36                           |
| 5                       | Hand Wheel Nut    | Zinc Coated Steel                           | A 307 Grade B                  |
| 6                       | Bonnet Bolt & Nut | Zinc Coated Steel                           | A 307 Grade B                  |
| 7                       | Stem              | Brass                                       | B 16                           |
| 8                       | Pin               | Stainless Steel                             | A 276 Type 304                 |
| 9                       | Plug              | Malleable Iron                              | A47                            |
| 10                      | Gland Nut         | Brass                                       | B 21                           |
| 11                      | Gland Bolt        | Zinc Coated Steel                           | A 307 Grade B                  |
| 12                      | Yoke Bolt & Nut   | Zinc Coated Steel                           | A 307 Grade B                  |
| 13                      | Washer A          | Brass                                       | B 21                           |
| 14                      | Stem Nut          | Bronze                                      | B 62                           |
| 15                      | Bonnet Bushing    | Bronze                                      | B 62                           |
| 16                      | Yoke Sleeve       | Brass                                       | B 221                          |
| 17                      | Yoke              | Cast Iron                                   | A 126 Class B                  |
| 18                      | Hand Wheel        | Cast Iron                                   | A 126 Class B                  |
| 19                      | Gland             | Ductile Iron                                | A 126 Class B                  |
| 20                      | Disc              | Cast Iron A<br>Rubber (Buna N)              | A 126 Class B<br>D 2000 BK 707 |
| 21                      | Bonnet            | Cast Iron                                   | A 126 Class B                  |
| 22                      | Body              | Cast Iron                                   | A 126 Class B                  |