

B6 BUTTERFLY VALVE

LUG STYLE

GEAR OPERATED

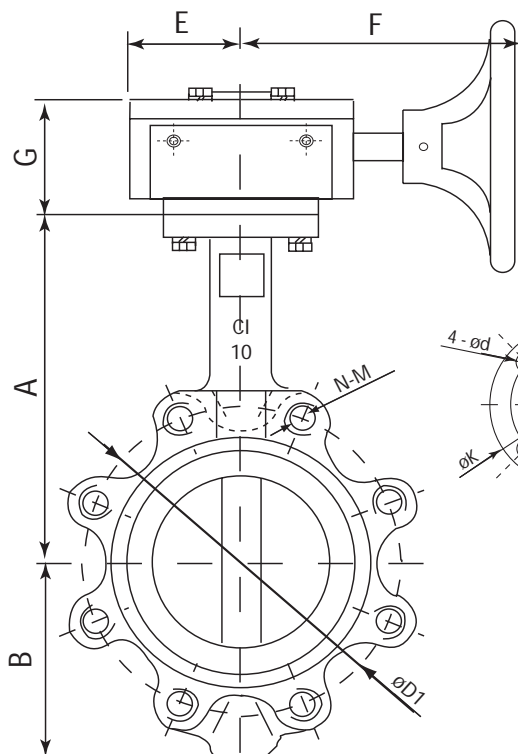
PART # B6-LGG



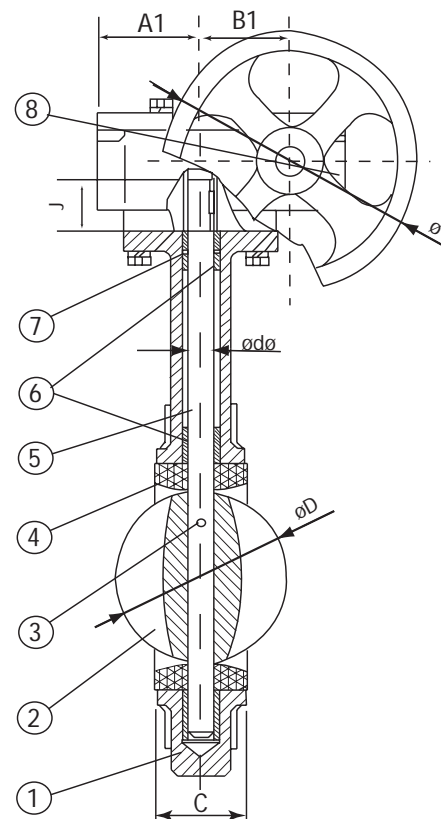
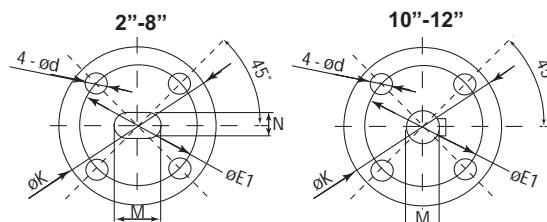
❖CAST IRON BODY
❖BLUE BODY

❖NICKEL PLATED DUCTILE IRON DISC
❖BLACK LEVER & HANDWHEEL

❖BUNA N LINER
❖200 PSI
❖ONE PIECE STEM



Top Flange & Stem



MATERIAL SPECIFICATIONS		
NO.	PARTS	MATERIALS
1	Body	Cast Iron ASTM A126B
2	Disc	Ductile Iron A536 65-45-12
3	Pin	SS416
4	Seat	Buna N
5	Stem	SS416
6	Bushing	PTFE
7	O-Ring	Buna N
8	Gear	Cast Iron ASTM A126B

LUG STYLE GEAR OPERATED BUTTERFLY VALVE DIMENSIONS

SIZE	Wt.	A	B	C	D	Lø	dø	J	K	E1	4-ød	N-M	D1	M	N	G	E	F	A1	B1	ø
2"	19.4	6.34	3.15	1.65	2.08	10.47	0.49	1.26	4.00	3.25	4-.44	4-5/8"	4.75	9/16	3/8	2.95	2.05	6.02	2.05	1.77	5.91
2-1/2"	20.2	6.89	3.50	1.80	2.54	10.47	0.49	1.26	4.00	3.25	4-.44	4-5/8"	5.50	9/16	3/8	2.95	2.05	6.02	2.05	1.77	5.91
3"	21.6	7.13	3.74	1.80	3.10	10.47	0.49	1.26	4.00	3.25	4-.44	4-5/8"	6.00	9/16	3/8	2.95	2.05	6.02	2.05	1.77	5.91
4"	30.8	7.87	4.49	2.05	4.09	10.47	0.62	1.26	4.00	3.25	4-.44	8-5/8"	7.50	5/8	7/16	2.95	2.05	6.02	2.05	1.77	5.91
5"	35.4	8.39	5.00	2.16	4.85	10.47	0.74	1.26	4.00	3.25	4-.44	8-3/4"	8.50	3/4	1/2	2.95	2.05	6.02	2.05	1.77	5.91
6"	42.2	8.90	5.47	2.20	6.11	10.47	0.74	1.26	4.00	3.25	4-.44	8-3/4"	9.50	3/4	1/2	2.95	2.05	6.02	2.05	1.77	5.91
8"	66.2	10.24	6.89	2.43	7.97	13.98	0.87	1.77	6.05	5.00	4-.56	8-3/4"	11.75	7/8	5/8	3.39	2.95	9.84	2.95	2.48	11.81
10"	85.1	11.50	7.99	2.65	9.86	19.88	1.12	1.77	6.05	5.00	4-.56	12-7/8"	14.25	1-1/8	-	3.39	2.95	9.84	2.95	2.48	11.81
12"	117.9	13.27	9.53	3.03	11.87	19.88	1.24	1.77	6.05	5.00	4-.56	12-7/8"	17.00	1-1/8	-	3.27	3.19	8.94	3.19	3.15	11.81

B6 BUTTERFLY VALVE

LUG STYLE

LEVER OPERATED

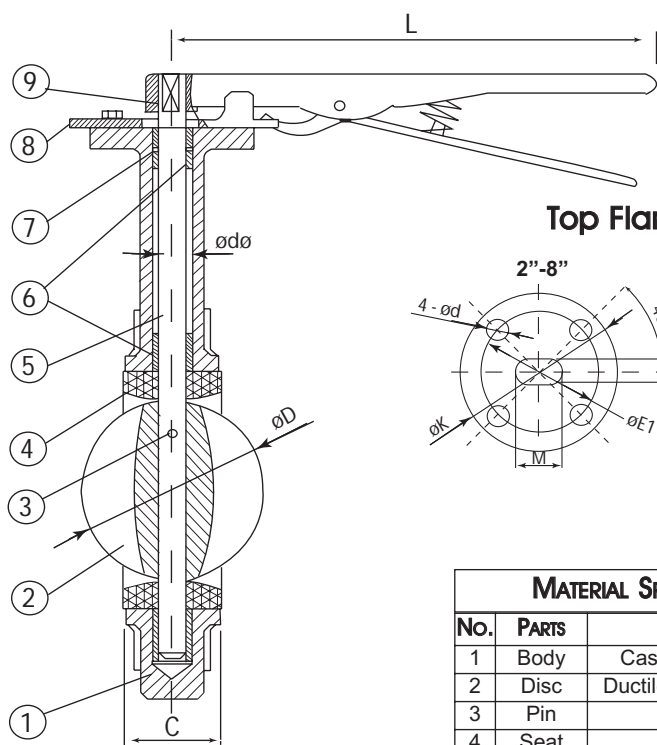
PART # B6-LGL



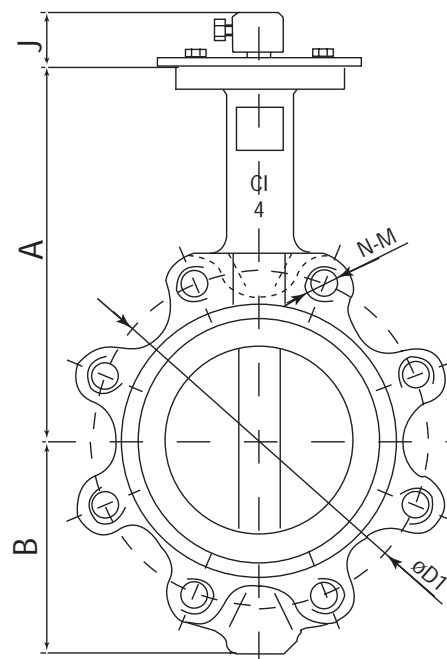
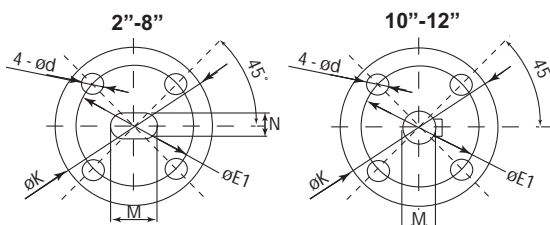
❖CAST IRON BODY
❖BLUE BODY

❖NICKEL PLATED DUCTILE IRON DISC
❖BLACK LEVER & HANDWHEEL

❖BUNA N LINER
❖200 PSI
❖ONE PIECE STEM



Top Flange & Stem



MATERIAL SPECIFICATIONS		
No.	PARTS	MATERIALS
1	Body	Cast Iron ASTM A126B
2	Disc	Ductile Iron A536 65-45-12
3	Pin	SS416
4	Seat	Buna N
5	Stem	SS416
6	Bushing	PTFE
7	O-Ring	Buna N
8	Indicator	Chrome Plated Carbon Steel
9	Lever	Cast Iron

LUG STYLE LEVER OPERATED BUTTERFLY VALVE DIMENSIONS

SIZE	Wt.	A	B	C	D	Lø	dø	J	K	E1	4-ød	N-M	D1	M	N
2"	9.9	6.34	3.15	1.65	2.08	10.47	0.49	1.26	4.00	3.25	4-.44	4-5/8"	4.75	9/16	3/8
2-1/2"	10.8	6.89	3.50	1.80	2.54	10.47	0.49	1.26	4.00	3.25	4-.44	4-5/8"	5.50	9/16	3/8
3"	12.1	7.13	3.74	1.80	3.10	10.47	0.49	1.26	4.00	3.25	4-.44	4-5/8"	6.00	9/16	3/8
4"	21.3	7.87	4.49	2.05	4.09	10.47	0.62	1.26	4.00	3.25	4-.44	8-5/8"	7.50	5/8	7/16
5"	26.0	8.39	5.00	2.16	4.85	10.47	0.74	1.26	4.00	3.25	4-.44	8-3/4"	8.50	3/4	1/2
6"	32.8	8.90	5.47	2.20	6.11	10.47	0.74	1.26	4.00	3.25	4-.44	8-3/4"	9.50	3/4	1/2
8"	41.1	10.24	6.89	2.43	7.97	13.98	0.87	1.77	6.05	5.00	4-.56	8-3/4"	11.75	7/8	5/8
10"	62.0	11.50	7.99	2.65	9.86	19.88	1.12	1.77	6.05	5.00	4-.56	12-7/8"	14.25	1-1/8	-
12"	92.0	13.27	9.53	3.03	11.87	19.88	1.24	1.77	6.05	5.00	4-.56	12-7/8"	17.00	1-1/8	-

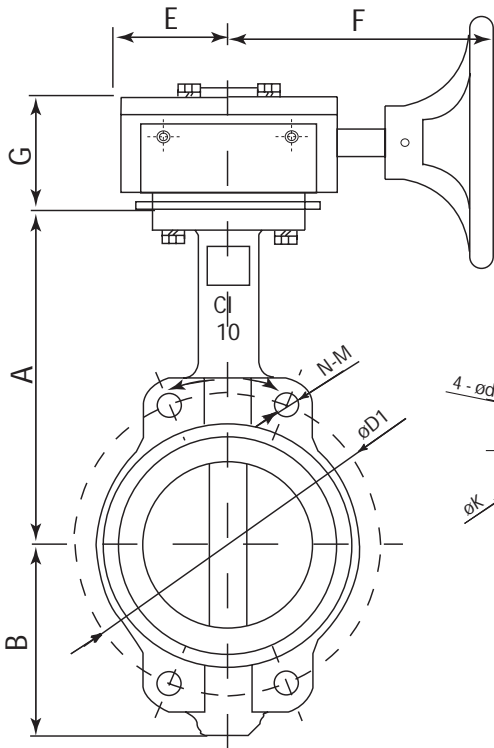
B6 BUTTERFLY VALVE WAFER STYLE GEAR OPERATED PART # B6-RWG



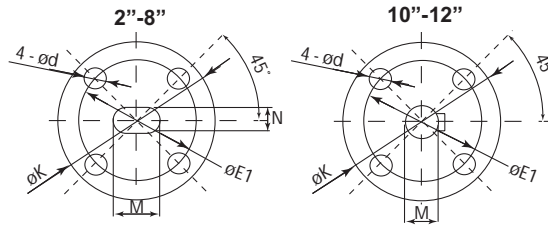
❖ CAST IRON BODY
❖ BLUE BODY

❖ NICKEL PLATED DUCTILE IRON DISC
❖ BLACK LEVER & HANDWHEEL

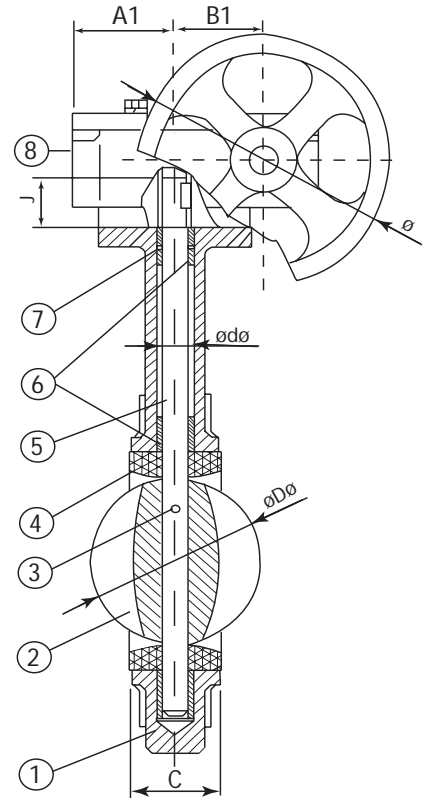
❖ BUNA N LINER
❖ 200 PSI
❖ ONE PIECE STEM



Top Flange & Stem



MATERIAL SPECIFICATIONS		
No.	PARTS	MATERIALS
1	Body	Cast Iron ASTM A126B
2	Disc	Ductile Iron A536 65-45-12
3	Pin	SS416
4	Seat	Buna N
5	Stem	SS416
6	Bushing	PTFE
7	O-Ring	Buna N
8	Gear	Cast Iron ASTM A126B



WAFER STYLE GEAR OPERATED BUTTERFLY VALVE DIMENSIONS

SIZE	Wt.	A	B	C	D	Lø	dø	J	K	E1	4-ød	N-M	D1	M	N	G	E	F	A1	B1	ø
2"	16.5	6.34	3.15	1.65	2.08	10.47	0.49	1.26	4.00	3.25	4-.44	4-5/8"	4.75	9/16	3/8	2.95	2.05	6.02	2.05	1.77	5.91
2-1/2"	18.0	6.89	3.50	1.80	2.54	10.47	0.49	1.26	4.00	3.25	4-.44	4-5/8"	5.50	9/16	3/8	2.95	2.05	6.02	2.05	1.77	5.91
3"	18.9	7.13	3.74	1.80	3.10	10.47	0.49	1.26	4.00	3.25	4-.44	4-5/8"	6.00	9/16	3/8	2.95	2.05	6.02	2.05	1.77	5.91
4"	21.8	7.87	4.49	2.05	4.09	10.47	0.62	1.26	4.00	3.25	4-.44	8-5/8"	7.50	5/8	7/16	2.95	2.05	6.02	2.05	1.77	5.91
5"	26.4	8.39	5.00	2.16	4.85	10.47	0.74	1.26	4.00	3.25	4-.44	8-3/4"	8.50	3/4	1/2	2.95	2.05	6.02	2.05	1.77	5.91
6"	28.1	8.90	5.47	2.20	6.11	10.47	0.74	1.26	4.00	3.25	4-.44	8-3/4"	9.50	3/4	1/2	2.95	2.05	6.02	2.05	1.77	5.91
8"	54.1	10.24	6.89	2.43	7.97	13.98	0.87	1.77	6.05	5.00	4-.56	8-3/4"	11.75	7/8	5/8	3.39	2.95	9.84	2.95	2.48	11.81
10"	67.3	11.50	7.99	2.65	9.86	19.88	1.12	1.77	6.05	5.00	4-.56	12-7/8"	14.25	1-1/8	-	3.39	2.95	9.84	2.95	2.48	11.81
12"	100.1	13.27	9.53	3.03	11.87	19.88	1.24	1.77	6.05	5.00	4-.56	12-7/8"	17.00	1-1/8	-	3.27	3.19	8.94	3.19	3.15	11.81

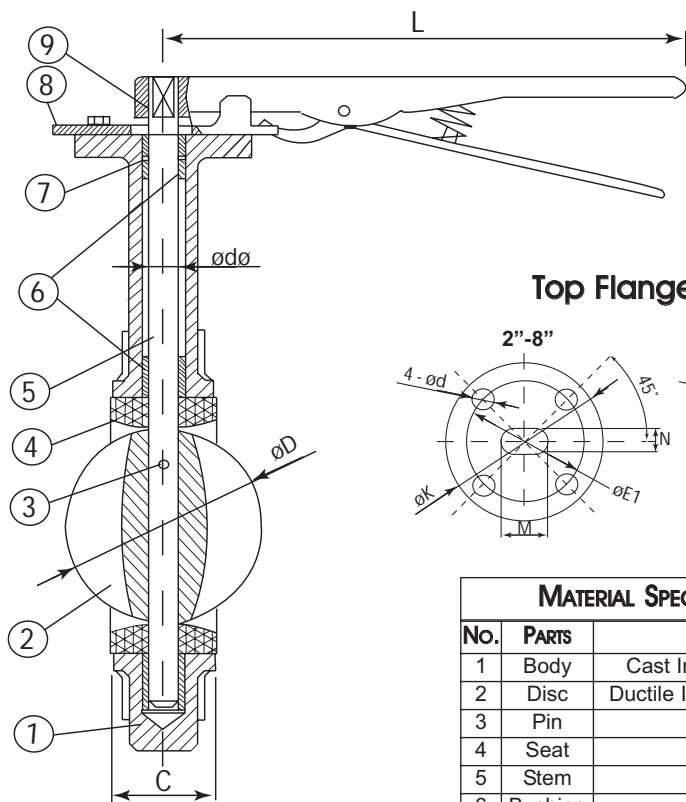
B6 BUTTERFLY VALVE WAFER STYLE LEVER OPERATED PART # B6-RLO



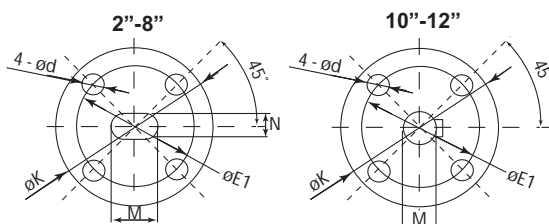
❖ CAST IRON BODY
❖ BLUE BODY

❖ NICKEL PLATED DUCTILE IRON DISC
❖ BLACK LEVER & HANDWHEEL

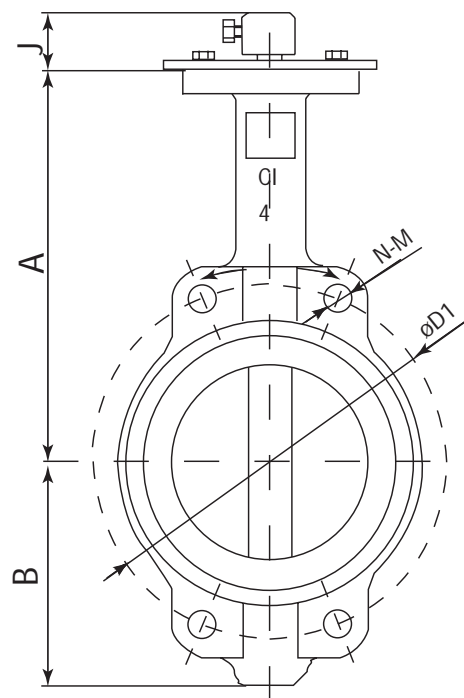
❖ BUNA N LINER
❖ 200 PSI
❖ ONE PIECE STEM



Top Flange & Stem



MATERIAL SPECIFICATIONS		
No.	PARTS	MATERIALS
1	Body	Cast Iron ASTM A126B
2	Disc	Ductile Iron A536 65-45-12
3	Pin	SS416
4	Seat	Buna N
5	Stem	SS416
6	Bushing	PTFE
7	O-Ring	Buna N
8	Indicator	Chrome Plated Carbon Steel
9	Lever	Cast Iron



WAFER STYLE LEVER OPERATED BUTTERFLY VALVE DIMENSIONS

SIZE	Wt.	A	B	C	D	Lø	dø	J	K	E1	4-ød	N-M	D1	M	N
2"	7.0	6.34	3.15	1.65	2.08	10.47	0.49	1.26	4.00	3.25	4-.44	4-.75	4.75	9/16	3/8
2-1/2"	8.6	6.89	3.50	1.80	2.54	10.47	0.49	1.26	4.00	3.25	4-.44	4-.75	5.50	9/16	3/8
3"	9.5	7.13	3.74	1.80	3.10	10.47	0.49	1.26	4.00	3.25	4-.44	4-.75	6.00	9/16	3/8
4"	12.3	7.87	4.49	2.05	4.09	10.47	0.62	1.26	4.00	3.25	4-.44	4-.75	7.50	5/8	7/16
5"	16.9	8.39	5.00	2.16	4.85	10.47	0.74	1.26	4.00	3.25	4-.44	4-.88	8.50	3/4	1/2
6"	18.7	8.90	5.47	2.20	6.11	10.47	0.74	1.26	4.00	3.25	4-.44	4-.88	9.50	3/4	1/2
8"	31.0	10.24	6.89	2.43	7.97	13.98	0.87	1.77	6.05	5.00	4-.56	4-.88	11.75	7/8	5/8
10"	44.2	11.50	7.99	2.65	9.86	19.88	1.12	1.77	6.05	5.00	4-.56	4-1.00	14.25	1-1/8	-
12"	73.5	13.27	9.53	3.03	11.87	19.88	1.24	1.77	6.05	5.00	4-.56	4-1.00	17.00	1-1/8	-