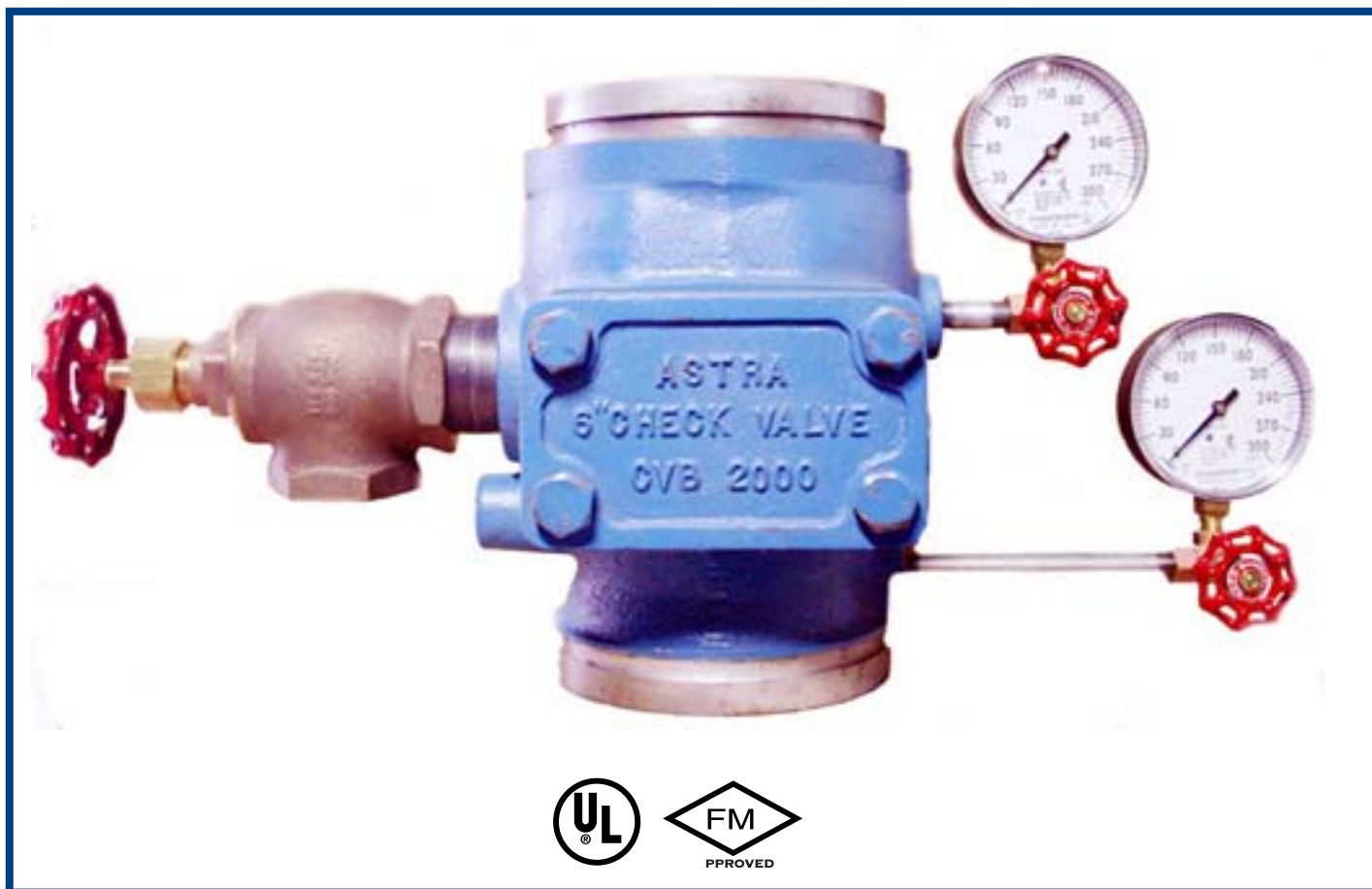




RISER CHECK VALVES

NNI

Model CVB 6" RISER CHECK VALVES



MODEL 6" CVB RISER CHECK VALVE

DESCRIPTION

The Firematic 6" Model CVB Riser Check Valve has a lightweight high-density cast iron body and solid bronze, rubber faced swing clapper. The Riser Check Valve is manufactured with standard 6" grooved ends and is easily installed using approved mechanical grooved couplings. Tapping bosses are located at the end of the valve for the gauge connections, and it is tapped for connection of the system main drain.

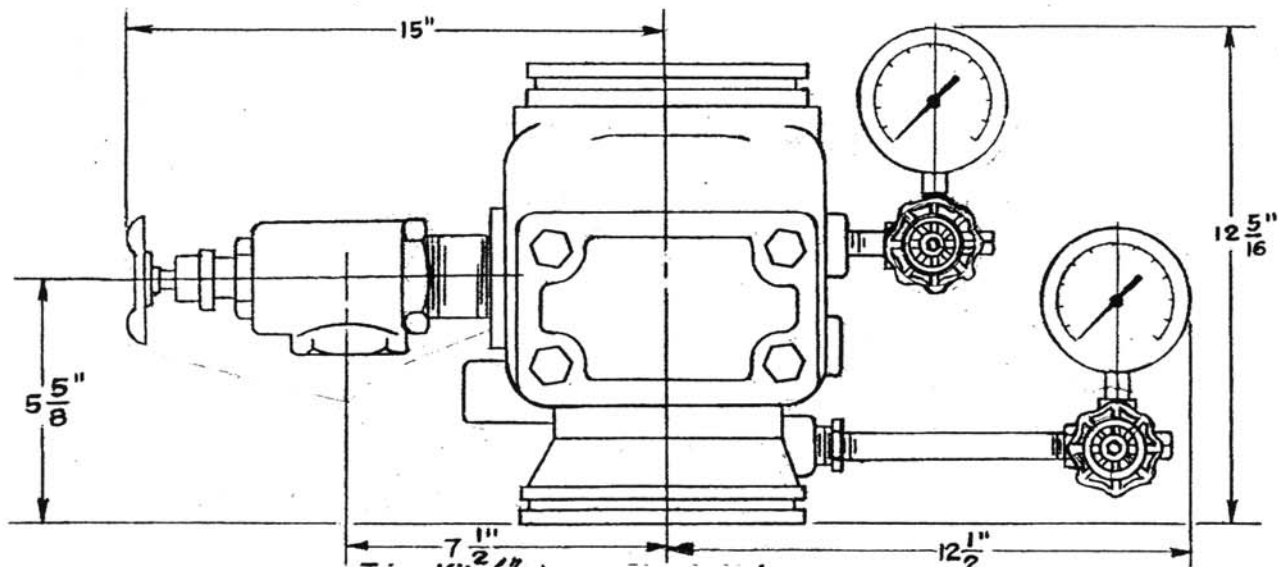
OPERATION

The Riser Check valve and trim package are intended for use in a wet-type automatic sprinkler system. The Riser Check valve is an alternative to the Alarm Check Valve. The unit should be installed in the main riser of a wet pipe sprinkler system, near an exterior wall. The main riser must be equipped with a flow switch for activating a local electric alarm bell (not included in trim kit). The system working drawings must show the location of the Check Valve. The Model 6" CVB Riser Check Valve has a removable side cover to permit easy access to the clapper assembly during maintenance procedures, thus, reducing maintenance time by not having to remove the valve from the system.

Always install in accordance with NFPA or other applicable standards.

WARNING

Any system maintenance or inspection that involves placing a control valve out of service will eliminate the fire protection normally provided by the fire protection system. Prior to proceeding, be certain to secure permission from all authorities having jurisdiction and notify all personnel whom may be affected during system shutdown. A fire watch during maintenance periods is a recommended precaution. The owner is responsible for the proper operating condition of all fire protection devices and accessories. The NFPA standard 13A entitled "Care and Maintenance of Sprinkler System" contains guidelines and minimum requirements.



TAKE OUT: 11-1/4" WEIGHT RISER VALVE: 50 lb. WEIGHT RISER TRIM: 10 lb.

Trim Kit 6" Riser Check Valve

MAIN DRAIN

2" x Close Nipple
2" Angle Valve

GAUGE (SYSTEM SIDE)

0-300 PSI Gauge
1/4" x 1-1/2" Nipple
1/4" x Three-Way Globe Valve
1/4" Plug

GAUGE (SUPPLY SIDE)

0-300 PSI Gauge
1/4" x 6" Nipple
1/4" Three-Way Globe Valve
1/4" Plug
1/4" x 1/2" Reducing Bushing

This information is only a general guideline. The company reserves the right to change any portion of this information without notice. Terms and conditions of sale apply and are available on request.

NNI INC., 667 NW 118th Street, Miami, FL 33168 (USA) Tel: (877)NNI-FIRE, (305) 687-3330 Fax: (305) 687-3360 www.nni.8m.com