



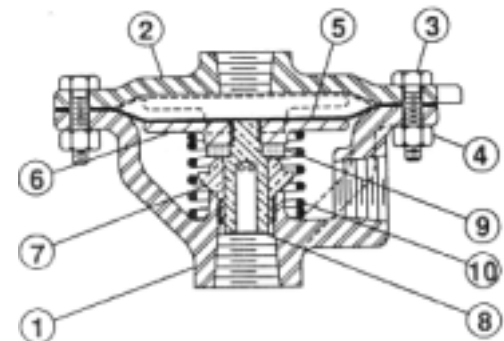
# DELUGE & PREACTION VALVES



Model F Deluge Valves		
P/N	Description	List
8076100	2-1/2" Model "F" Deluge Valve (Valve & Diaphragm)	\$1,608.99
8076500	4" Model "F" Deluge Valve (Valve & Diaphragm)	\$1,684.84
8076900	6" Model "F" Deluge Valve (Valve & Diaphragm)	\$2,049.27
Deluge Valve Trim		
P/N	Description	List
1602005	2-1/2" Basic Trim (Wet Pilot Actuation)	\$819.93
1602006	4" Basic Trim (Wet Pilot Actuation)	\$908.44
1602007	6" Basic Trim (Wet Pilot Actuation)	\$848.40
Model F Supervised Pre-Action Valves		
P/N	Description	List
8076100	2-1/2" Model "F" Pre-Action Valve (Valve & Diaphragm)	\$1,608.99
8076500	4" Model "F" Pre-Action Valve (Valve & Diaphragm)	\$1,684.84
8076900	6" Model "F" Pre-Action Valve (Valve & Diaphragm)	\$2,049.27
Model F Supervised Pre-Action Valves, Trim		
P/N	Description	List
1602008	2-1/2" Basic Trim Package (Wet Pilot Actuation)	\$2,381.26
1602009	4" Basic Trim Package (Wet Pilot Actuation)*	\$2,461.45
1602010	6" Basic Trim Package (Wet Pilot Actuation)*	\$2,296.61
* Includes Air Check		
Additional Trim (Added To Deluge and Pre-Action Valves) For: Electric Actuation		
P/N	Description	List
5118026	1/2" Solenoid Valve, 24 VDC	\$349.00
5118025	1/2" Solenoid Valve, 115 VAC	\$349.00
Dry Pilot Actuation Trim For Deluge Valves, Owners Air Supply		
P/N	Description	List
1601628	Owners Air Supply Trim	\$314.43
1601627	Nitrogen Supply Trim ( See page S-32 for cylinder)	\$421.93
Dry Pilot Actuation Trim For Pre-Action Valves, Nitrogen Supply		
P/N	Description	List
1601666	Nitrogen Supply Trim ( See page S-32 for cylinder)	\$543.53
1601667	Owners Air Supply Trim	\$482.17
Dry Pilot Actuator		
P/N	Description	List
1601603	Dry Pilot Actuator - Model B-1	\$530.33
Piping Supervision Trim Packages for Pre-Action Valves: Owner's Air Supply		
P/N	Description	List
1601673	With Reservoir	\$2,485.68
1601672	Without Reservoir	\$320.39
Electric Air Pump With Reservoir		
P/N	Description	List
1601670	Floor Mounted	\$4,482.45
Explosion Proof Electric Air Pump With Reservoir		
P/N	Description	List
1601668	Explosion Proof Floor Mounted	\$5,194.04

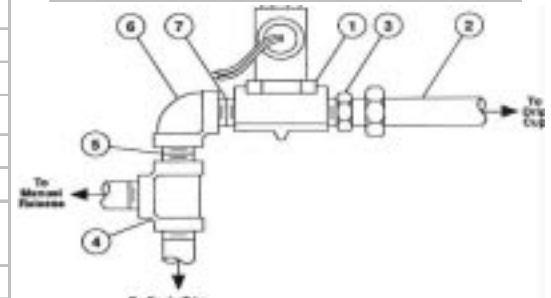


2 1/2" DELUGE VALVE



MODEL B-1 DRY PILOT ACTUATOR

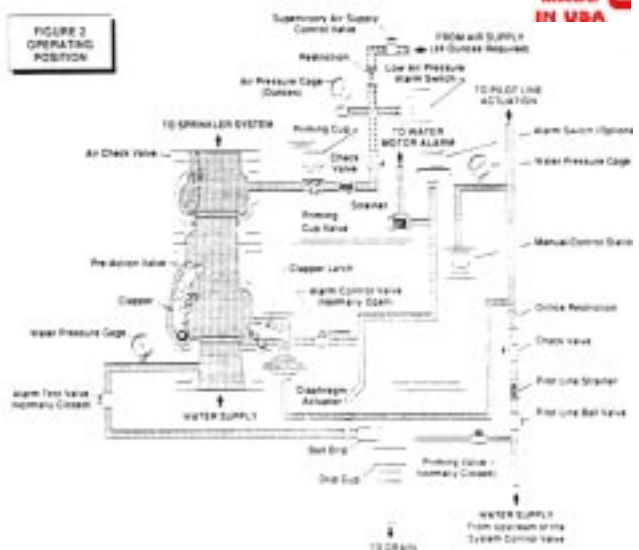
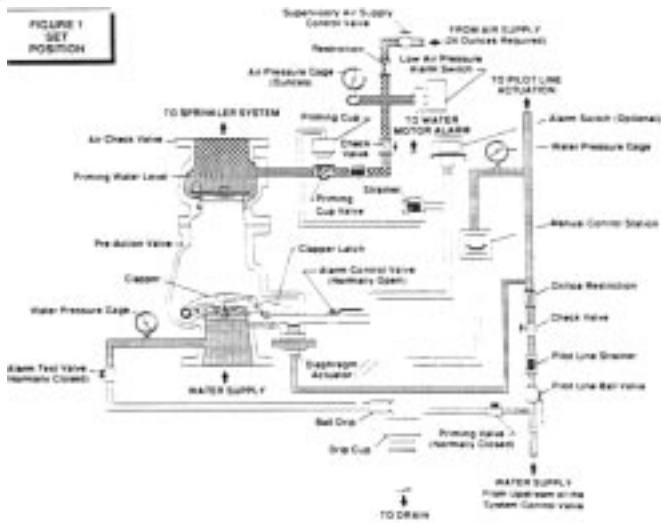
Legend	
Housing Assembly	
1	Actuator Body
2	Actuator Cover
3	Hex head Cap screw 5/16" x 1"
4	hex Nut 5/16"
Diaphragm / valve mechanism	
5	Diaphragm
6	Diaphragm Plate
7	Seat Ring
8	Guide
9	Disc
10	Spring



ELECTRIC ACTUATION

Legend	
1	Electric Solenoid Valve (Order Separate)
2	1/2" Copper Tubing*
3	1/2" NPT x 1/2" Tubing Connector*
4	1/2" x 1/2" x 1/2" Galv. Tee*
5	1/2" x Base Galv. Nipple*
6	1/2" 90° Galv. Elbow*
7	1/2" x Base Galv. Nipple*

\*These items are included with basic trim setup for Model F Deluge Valve



Model F Double Interlock Pre-Action Valves		
P/N	Description	List
8076100	2 1/2" Model F Double Interlock Pre-Action Valve (Valve & Diaphragm Actuator) Flange/Flange	\$1,608.99
8076500	4" Model F Double Interlock Pre-Action Valve (Valve & Diaphragm Actuator) Flange/Flange	\$1,684.84
8076900	6" Model F Double Interlock Pre-Action Valve (Valve & Diaphragm Actuator) Flange/Flange	\$2,049.27

**Model F Double Interlock Pre-Action Valves: Basic Trim Kits**

P/N	Description	List
1601675	2-1/2" Basic Trim*	\$2,093.00
1601676	4" Basic Trim*	\$2,093.00
1601677	6" Basic Trim*	\$2,093.00

\*Must Order Air Check As Separate Item - See Below.

**Air Check Valve For Double Interlock Systems:**

Flanged Check Valves - Iron Body - Bronze Mounted - Rubber Faced Clapp

P/N	Description	List
5115008	2-1/2"	\$455.56
8352400	4" Automatic Sprinkler Model 352	\$482.06
8352600	6" Automatic Sprinkler Model 352	\$630.38

**Air Supply Options For Double Interlock Systems:**

Air Supply Options

P/N	Description	List
8039760	Air Maintenance Device Model A-1	\$405.28
Note: For connecting to basic trim to provide automatic control from		
1404880	Automatic Control Connection	\$209.70
Note: To connect to basic trim setup for the air supply from an automatic		
1404819	Nitrogen Cylinder Connections	\$381.89
Note: Nitrogen supply source and trim to connect to automatic		

Optional Accelerator and Trim For The Double Interlock Pre-Action System:

P/N	Description	List
8085701	Accelerator (without trim)	\$439.29
1601679	4" trim for accelerator with anti-flooding device	\$298.57
1601680	6" trim for accelerator with anti-flooding device	\$331.04



**4" PREACTION VALVE**

Use Multiplier of 0.4125 for Net Pricing. Contact for pricing on large quantities or items not listed

For order dial Toll Free @1-877-NFI-FIRE (1-877-664-3473) or Fax @ 305-757-1902