

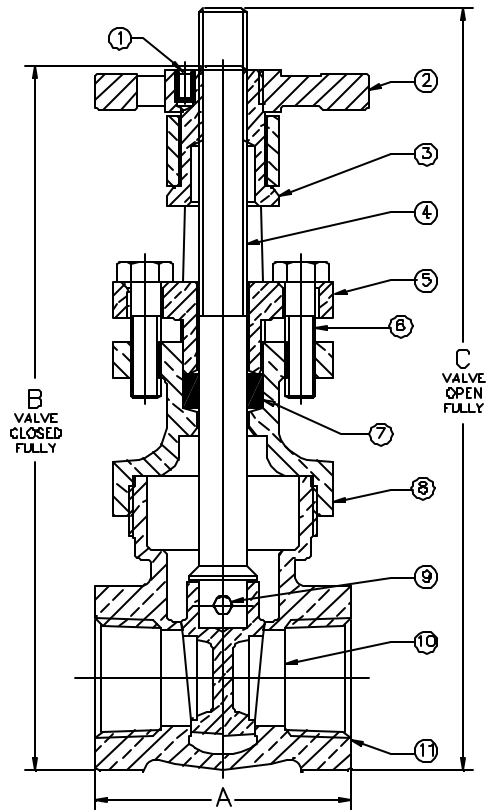
OUTSIDE SCREW & YOKE Bronze GATE VALVE



Model 2101A Bronze Screwed Ends Outside Screw & Yoke

UL Listed / FM Approved @ 175 lbs. WOG

**200 WOG @ 180 ° Max
100% Pressure Tested
Rising Stem**



MATERIAL LIST

NO.	DESCRIPTION	MATERIAL
1	Set Screw	Steel
2	Hand Wheel	Iron
3	Yoke Bushing	Brass
4	Stem	Brass
5	Packing Gland	Brass
6	Cap Screw	Steel
7	Packing	Graphite Non-Asb.
8	Bonnet	Bronze
9	Spirol Pin	Stainless Steel
10	Wedge	Bronze
11	Body	Bronze

Size	A	B	C	Ship Wgt. (lbs.)	Qty. Unit Pack	Qty. Per Case
1	2.55	6.55	7.97	3.85	6	18
1 ¼"	2.81	7.61	9.47	6.26	2	12
1 ½"	2.86	7.84	9.75	6.55	2	6
2"	3.09	8.88	11.22	9.96	2	6